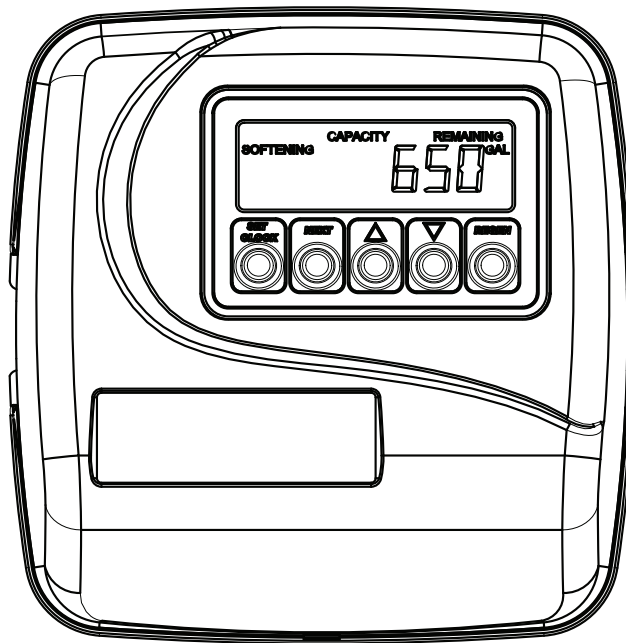


# Water Specialist

**1" Control Valve Series Model: WS1CS**

**1.25" Control Valve Series Model: WS1.25CS**



## **Operation and Instruction Manual for OEM Only.**

*Please Note:* This operation and instruction manual is for the training of the OEM and for the OEM to use to train their customers. This document is not to be used as the complete system manual.



## Table of Contents

Control Valve Function and Cycles of Operation .....	4
OEM General Instructions .....	8
OEM Softener System Setup .....	9
Setting Options Table .....	10
OEM Filter System Setup .....	11
Installer Display Settings .....	12
User Displays Settings .....	12
Diagnostics .....	14
Valve History .....	15
CS Front Cover and Drive Assembly .....	16
WS1CS Drive Cap Asy, Pistons and Spacer Stack Assembly .....	17
WS1.25CS Drive Cap Asy, Pistons and Spacer Stack Asy .....	18
WS1 and WS1.25 Identification Figure .....	19

**FOR INFORMATION COMMON TO ALL 1" & 1.25" CONTROL VALVES REFER TO THE  
WS1 AND WS1.25 DRAWINGS AND SERVICE MANUAL**

## Control Valve Function and Cycles of Operation

This glass filled Noryl<sup>1</sup> (or equivalent) fully automatic control valve is designed as the primary control center to direct and regulate all cycles of a water softener or filter. When the WS1CS or WS1.25 control valve is manufactured as a softener, the control valve can be ordered to perform downflow or upflow regeneration. When the WS1CS or WS1.25CS control valve is set up as a filter, the control valve can be set to perform downflow regeneration or simply backwash. The control valve can be set to regenerate on demand (consumption of a predetermined amount of water) and/or as a time clock (passage of a particular number of days). The control valve can be set so that a softener can meet the Water Quality Association (WQA) Standard S100 or NSF/ANSI Standard 44 efficiency rating.

**It is not recommended to change control valves from downflow to upflow brining or vice versa in the field. The valve bodies for downflow and upflow are unique to the regeneration type and should not be interchanged. A mismatch of valve body and regeneration piston will result in hard water bypass during service.**

The control valve is compatible with a variety of regenerants and resin cleaners. The control valve is capable of routing the flow of water in the necessary paths to regenerate or backwash water treatment systems. The injector regulates the flow of brine or other regenerants. The control valve regulates the flow rates for backwashing, rinsing, and the replenishing of treated water into a regenerant tank, when applicable.

The control valve uses no traditional fasteners (e.g. screws); instead clips, threaded caps and nuts and snap type latches are used. Caps and nuts only need to be firmly hand tightened because radial seals are used. Tools required to service the valve include one small blade screw driver, one large blade screw driver, pliers and a pair of hands. A plastic wrench is available which eliminates the need for screwdrivers and pliers. Disassembly for servicing takes much less time than comparable products currently on the market. Control valve installation is made easy because the distributor tube can be cut ½" above to ½" below the top of tank thread. The distributor tube is held in place by an o-ring seal and the control valve also has a bayonet lock feature for upper distributor baskets.

The AC adapter power pack comes with a 15 foot power cord and is designed for use with the control valve. The AC adapter power pack is for dry location use only. The control valve remembers all settings for up to 8 hours if the power goes out and the battery is not depleted. After 8 hours, the only item that needs to be reset is the time of day; other values are permanently stored in the nonvolatile memory. If a power loss lasts less than 8 hours and the time flashes on and off, the time of day should be reset and the non rechargeable battery should be replaced.

Table 1 shows the order of the cycles when the valve is set up as a softener. The OEM has the option of having the regenerant refill after the rinse cycle or have the regenerant prefill before regeneration. If the OEM chooses to have the regenerant prefill before regeneration, the prefill starts two hours before the regeneration time set. During the 2-hour period in which the brine is being made, treated (softened) water is still available. For example: regeneration time = 2:00 am, prefill option selected, downflow softener. Fill occurs at 12:00 a.m., start of backwash cycle occurs at 2:00 a.m. Tables 2 and 3 show the length of the cycles when different program codes are selected.

**Table 1**  
**Regeneration Cycles Softening**

WS1CS & WS1.25CS Downflow Regenerant Refill After Rinse	WS1CS & WS1.25CS Downflow Regenerant Prefill	WS1CS & WS1.25CS Upflow Regenerant Refill After Rinse	WS1CS & WS1.25CS Upflow Regenerant Prefill
1 <sup>st</sup> Cycle: Backwash	1 <sup>st</sup> Cycle: Fill	1 <sup>st</sup> Cycle: Regenerate	1 <sup>st</sup> Cycle: Fill
2 <sup>nd</sup> Cycle: Regenerate	2 <sup>nd</sup> Cycle: Service	2 <sup>nd</sup> Cycle: Backwash	2 <sup>nd</sup> Cycle: Service
3 <sup>rd</sup> Cycle: Second Backwash*	3 <sup>rd</sup> Cycle: Backwash	3 <sup>rd</sup> Cycle: Rinse	3 <sup>rd</sup> Cycle: Regenerate
4 <sup>th</sup> Cycle: Rinse	4 <sup>th</sup> Cycle: Regenerate	4 <sup>th</sup> Cycle: Fill/Dissolve	4 <sup>th</sup> Cycle: Backwash
5 <sup>th</sup> Cycle: Fill/Dissolve	5 <sup>th</sup> Cycle: Second Backwash*	5 <sup>th</sup> Cycle: Service	5 <sup>th</sup> Cycle: Rinse
6 <sup>th</sup> Cycle: Service	6 <sup>th</sup> Cycle: Rinse		6 <sup>th</sup> Cycle: Service
	7 <sup>th</sup> Cycle: Service		

\*Second Backwash is optional

<sup>1</sup> Noryl is a trademark of General Electric.

**Table 2**  
**Downflow Softener Program Codes for WS1CS or WS1.25CS**

Program Code	Main Piston	1 <sup>st</sup> Backwash	Brine/Slow Rinse	2 <sup>nd</sup> Backwash	Fast Rinse
P1	Down Flow	3	40	3	3
P2	Down Flow	3	45	3	3
P3	Down Flow	4	45	4	3
P4	Down Flow	4	60	4	3
P5	Down Flow	5	60	4	4
P6	Down Flow	5	60	5	4
P7	Down Flow	6	45	4	3
P8	Down Flow	6	60	5	4
P9	Down Flow	6	60	6	5
P10	Down Flow	7	50	5	4
P11	Down Flow	7	60	6	6
P12	Down Flow	7	65	7	7
P13	Down Flow	8	45	5	4
P14	Down Flow	8	60	6	6
P15	Down Flow	8	60	8	8
P16	Down Flow	8	65	8	6
P17	Down Flow	8	65	8	7
P18	Down Flow	8	75	8	5
P19	Down Flow	9	50	5	5
P20	Down Flow	9	60	5	4
P21	Down Flow	9	65	8	5
P22	Down Flow	10	45	4	4
P23	Down Flow	10	60	5	4
P24	Down Flow	10	65	8	8
P25	Down Flow	10	65	6	5
P26	Down Flow	10	75	7	5
P27	Down Flow	12	45	4	4
P28	Down Flow	12	60	6	4
P29	Down Flow	12	60	8	8
P30	Down Flow	12	65	6	6
P31	Down Flow	12	65	8	8
P32	Down Flow	12	65	12	8
P33	Down Flow	12	75	6	6
P34	Down Flow	14	45	5	4
P35	Down Flow	14	60	6	5
P36	Down Flow	14	60	8	8
P37	Down Flow	14	65	7	6
P38	Down Flow	14	65	8	8
P39	Down Flow	14	65	12	8
P40	Down Flow	14	75	8	7
P41	Down Flow	16	60	7	5
P42	Down Flow	16	65	8	6
P43	Down Flow	16	65	8	8
P44	Down Flow	16	65	12	8
P45	Down Flow	16	75	9	7
P50	Down Flow	6	45	3	3
P51	Down Flow	8	60	8	4
P52	Down Flow	8	75	10	6

Table 4 shows the order of the cycles when the valve is set up as a filter. If the control valve is set to regenerate for a filter, the OEM has the option of having the regenerant refill after the rinse cycle or have the regenerant prefill before regeneration. If the OEM chooses to have the regenerant prefill before regeneration, the prefill starts two hours before the regeneration time set. During the 2-hour period in which the regenerant is being made, treated water is still available. For example: regeneration time = 2:00 am, prefill option selected, downflow filter. Fill occurs at 12:00 a.m., start of backwash cycle occurs at 2:00 a.m.

When the control valve is used as a non-regenerating filter, the OEM has the option to specify one backwash or two backwashes. If two backwashes are specified, two rinses occur. Tables 5 and 6 show the length of the cycles when the valve is set up as a filter. When used as a non-regenerating filter, the downflow piston must be installed, the regenerant piston removed, injector plugs must be installed in both the DN and UP injector locations and the refill elbow must be replaced with a refill port plug.

**NOTE:** The program codes listed on this page and the following page should be used only as a guideline. Any program code listed can be applied to a softener or filter application for WS1CS valves.

**Table 3**  
**Upflow Softener Program Codes for WS1CS or WS1.25CS**

Program Code	Main Piston	1 <sup>st</sup> Backwash	Brine/Slow Rinse	2 <sup>nd</sup> Backwash	Fast Rinse
P60	Upflow	N/A	45	6	4
P61	Upflow	N/A	45	8	6
P62	Upflow	N/A	60	10	6
P63	Upflow	N/A	60	12	8
P64	Upflow	N/A	75	10	6
P65	Upflow	N/A	75	12	8

**Table 4**  
**Regeneration Cycles Filtering for WS1CS or WS1.25CS**

Downflow Regenerant Refill After Rinse	Downflow Regenerant Prefill	No Regenerant
1 <sup>st</sup> Cycle: Backwash 2 <sup>nd</sup> Cycle: Regenerate 3 <sup>rd</sup> Cycle: <i>Second Backwash*</i> 4 <sup>th</sup> Cycle: Rinse 5 <sup>th</sup> Cycle: Fill 6 <sup>th</sup> Cycle: Service	1 <sup>st</sup> Cycle: Fill 2 <sup>nd</sup> Cycle: Service 3 <sup>rd</sup> Cycle: Backwash 4 <sup>th</sup> Cycle: Regenerate 5 <sup>th</sup> Cycle: <i>Second Backwash*</i> 6 <sup>th</sup> Cycle: Rinse 7 <sup>th</sup> Cycle: Service	1 <sup>st</sup> Cycle: Backwash 2 <sup>nd</sup> Cycle: Rinse 3 <sup>rd</sup> Cycle: <i>Second Backwash*</i> 4 <sup>th</sup> Cycle: Second Rinse 5 <sup>th</sup> Cycle: Service

\*Second Backwash is optional in some Program Codes

**Table 5**  
**Regenerating Filter Program Codes for WS1CS or WS1.25CS**

Program Code	Main Piston	1 <sup>st</sup> Backwash	Brine/Slow Rinse	2 <sup>nd</sup> Backwash	Fast Rinse
P70	Downflow	6	20	6	6
P71	Downflow	12	10	N/A	12
P72	Downflow	4	50	N/A	4
P73	Downflow	10	50	N/A	6
P74	Downflow	12	60	N/A	10
P75	Downflow	12	75	N/A	10

**Table 6**  
**Non-Regenerant Filter Program Codes for WS1CS or WS1.25CS**

Program Code	Main Piston	1 <sup>st</sup> Backwash	1 <sup>st</sup> Fast Rinse	2 <sup>nd</sup> Backwash	2 <sup>nd</sup> Fast Rinse
P80	Downflow	8	8	N/A	N/A
P81	Downflow	12	6	N/A	N/A
P82	Downflow	14	8	N/A	N/A
P83	Downflow	14	10	N/A	N/A
P84	Downflow	16	10	N/A	N/A
P85	Downflow	18	10	N/A	N/A
P86	Downflow	20	10	N/A	N/A
P90	Downflow	8	6	10	8
P91	Downflow	12	6	12	10

Note: For non-regenerant filters: 1) The regenerant piston is removed; 2) injector plugs are installed in both the UP and DN holes under the injector cap.

**Table 7**  
**DIR/Time Clock Options**

DIR	Time Clock	Reserve Capacity	Softener	Filter		Settings <sup>3</sup>	
				Regenerant	Backwash Only	Day Override	Gallon Capacity
Yes		Automatically calculated	Yes			Off	Auto
Yes		If desired enter a value less than estimated capacity	Yes	Yes	Yes	Off	Any Number
Yes	Yes	Automatically calculated	Yes			Any Number	Auto
Yes	Yes	If desired enter a value less than estimated capacity	Yes	Yes	Yes	Any Number	Any number
	Yes	None	Yes	Yes	Yes	Any Number	Off

The control valve with a water meter can be set for Demand Initiated Regeneration (DIR) only, Time Clock operation only or DIR and Time Clock which ever comes first, depending upon what settings are selected for Day Override and Gallon Capacity.<sup>2</sup> See Table 7.

If a control valve does not contain a meter, the valve can only act as a time clock, and day override should be set to any number and gallon capacity should be set to off.

For DIR Softeners, there are two options for setting the Gallons Capacity. The Gallons Capacity is automatically calculated if set to AUTO. Reserve Capacity is automatically estimated based on water usage if AUTO is used. The other option is to set the Gallons Capacity to a specific number. If a specific number is set, reserve capacity is zero, unless the value is manually set (i.e. the manufacturer intentionally sets the gallon capacity number below the calculated capacity of the system).

The control valve can also be set to regenerate immediately or at the next regeneration time by changing the Regeneration Time Option. There are three choices for settings:

1. "NORMAL" means regeneration will occur at the preset regeneration time.
2. "on 0" means regeneration will occur when the gallons capacity reaches zero.
3. "NORMAL + on 0" means the regeneration will occur at the preset regeneration time unless the gallons capacity reaches zero. If the gallons capacity reaches zero the regeneration will begin 10 minutes after no water usage.

The user can initiate manual regeneration. The user has the option to request the manual regeneration at the delayed regeneration time or to have the regeneration occur immediately:

1. Pressing and release REGEN. "Regen Today" will flash on the display and the regeneration will occur at the delayed regeneration time. The user can cancel the request by pressing and releasing REGEN. This method of manually initiating regeneration is not allowed when the system is set to "on 0," i.e. immediately regenerate when the gallon capacity reaches zero.
2. Pressing and holding REGEN for approximately 3 seconds will immediately start the regeneration. The user cannot cancel this request, except by resetting the control by pressing NEXT and REGEN simultaneously for 3 seconds.

A unique feature of this control valve is the ability to display actual water usage for the last 63 days. The values are initially stored as "----". This means the value is unknown. As days pass values are stored as "0" for no flow or the actual number of gallons. The counting of the gallons starts at the regeneration time. If no regeneration time can be set (i.e. when the valve is set for immediate regeneration) the counting of gallons starts at 12 a.m. Day 1 is yesterday, day 2 the day before yesterday, etc.

Another unique feature is that the valve automatically calculates a reserve capacity when set up as a softener with "Gallons Capacity" set to "AUTO" and the "Regeneration Time Option" set to "Normal" or "Normal + on 0". The actual reserve capacity is compared to the gallons capacity remaining immediately prior to the preset regeneration time. A regeneration will occur if the actual reserve capacity is less than the gallons capacity remaining. The actual reserve capacity is calculated by using the estimated reserve capacity and adjusting it up or down for actual usage.

The estimated reserve capacity for a given day of the week is the maximum value stored for the last three non-trivial water usages (i.e. more than 20 gallons/day) in seven day intervals.

<sup>2</sup> See Installer Display Settings Step 3I, OEM Softener Setup Step 7S and OEM Filter Setup Step 6F for explanations of Day Override and Gallon Capacity.

<sup>3</sup> Day Override and Gallon Capacity cannot be set to "oFF" at the same time.

### OEM General Instructions

The control valve offers multiple procedures that allow the valve to be modified to suit the needs of the installation. These procedures are:

- OEM Softener Setup
- OEM Filter Setup
- Installer Displays & Settings
- User Displays & Settings
- Diagnostics
- Valve History

These procedures can be accessed in any order. Details on each of the procedures are provided on the following pages.

At the discretion of the manufacturer, the field technician can access all settings. To “lock out” access to diagnostic and valve history displays and modifications to settings except hardness, day override, time of regeneration and time of day by anyone but the manufacturer, press ▼, NEXT, ▲, and SET CLOCK in sequence after settings are made. To “unlock”, so other displays can be viewed and changes can be made, press ▼, NEXT, ▲, and SET CLOCK in sequence.

When in operation normal user displays such as time of day, gallons remaining or days remaining before regeneration are shown. When stepping through a procedure, if no buttons are pressed within five minutes the display returns to a normal user display. Any changes made prior to the five minute time out are incorporated. The one exception is current flow rate display under the diagnostic procedure. The current flow rate display has a 30 minute time out feature.

To quickly exit OEM Softener Setup, OEM Filter Setup, Installer Display Settings, Diagnostic or Valve History press SET CLOCK. Any changes made prior to the exit are incorporated.

**When desired, all information in Diagnostics may be reset to zero when the valve is installed in a new location. To reset to zero, press NEXT and ▼ simultaneously to go to the Service/OEM 1 screen, and release. Press ▲ and ▼ simultaneously to reset diagnostic values to zero. Screen will return to User Display.**

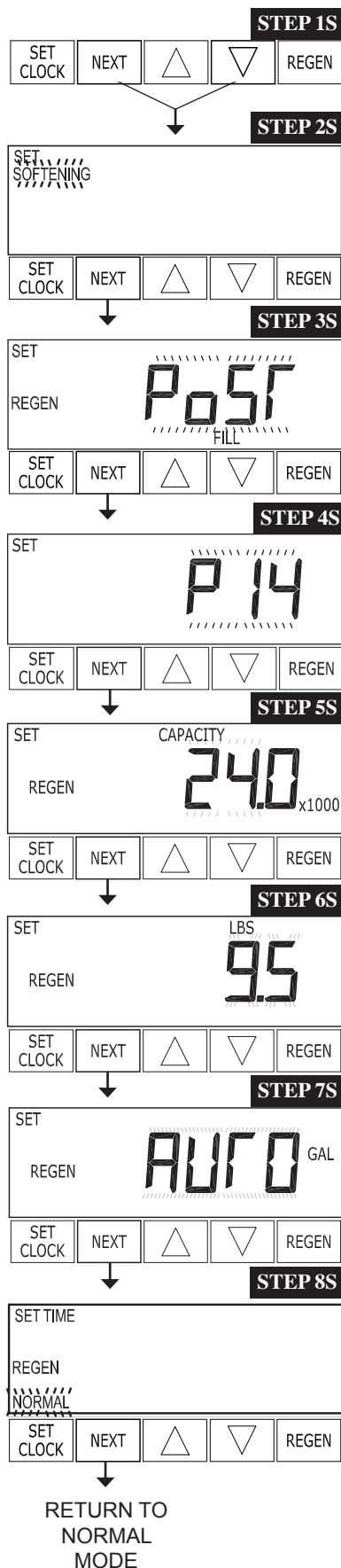
Sometimes it is desirable to have the valve initiate and complete two regenerations within 24 hours and then return to the preset regeneration procedure. It is possible to do a double regeneration if the control valve is set to “NORMAL” or “NORMAL + on 0” in Step 8S or Step 7F. To do a double regeneration:

1. Press REGEN once. REGEN TODAY will flash on the display.
2. Press and hold REGEN for three seconds until the valve regeneration initiates.

Once the valve has completed the immediate regeneration, the valve will regenerate one more time at the preset regeneration time.



OEM Softener System Setup



This is a quick reference setup procedure. See OEM Softener System Setup Detail for more information on available settings.

**STEP 1S** – Press NEXT and ▼ simultaneously for 3 seconds. If screen in step 2S does not appear in 5 seconds the lock on the valve is activated. To unlock press ▼, NEXT, ▲, and SET CLOCK in sequence, then press NEXT and ▼ simultaneously for 3 seconds.

**STEP 2S** – Choose Softening using ▼ or ▲. Press NEXT to go to Step 3S. Press REGEN to exit OEM Softener System Setup.

**STEP 3S** – Set Refill option using ▼ or ▲:

- “PoST” to refill the brine tank after the final rinse; or
- “PrE” to refill the brine tank two hours before the regeneration time set.

Press NEXT to go to Step 4S. Press REGEN to return to previous step.

**STEP 4S** – Program Code: Enter the desired program code from Table 2 or Table 3. Prior to selecting a Program Code, verify the correct valve body, main piston, regenerant piston, and stack are being used, and that the injector or injector plug(s) are in the correct locations. See Compliance Table in WS1 and WS1.25 Drawings and Service Manual. Press NEXT to go to Step 5S. Press REGEN to return to previous step.

**STEP 5S** – Enter the ion exchange capacity in grains of hardness as calcium carbonate for the system based on test data using ▼ or ▲. Press NEXT to go to Step 6S. Press REGEN to return to previous step.

**STEP 6S** – Enter the pounds of salt per regeneration using ▼ or ▲. Press NEXT to go to Step 7S. Press REGEN to return to previous step.

**STEP 7S** – Set Gallons Capacity using ▼ or ▲:

- “AUTO” (reserve capacity automatically estimated and gallons capacity automatically calculated from grains capacity and water hardness);
- “oFF” (regeneration based on day override); or
- number of gallons (20 to 50,000).

See Setting Options Table for more detail. Press NEXT to go to Step 8S. Press REGEN to return to previous step.

**STEP 8S** – Set Regeneration Time Option using ▼ or ▲:

- “NORMAL” means regeneration will occur at the preset time;
- “on 0” means regeneration will occur immediately when the gallons capacity reaches 0 (zero); or
- “NORMAL + on 0” means regeneration will occur at one of the following:

- the preset time when the gallons capacity falls below the reserve or the specified number of days between regenerations is reached whichever comes first; or
- after 10 minutes of no water usage when the gallon capacity reaches 0 (zero).

See Setting Options Table for more detail. Press NEXT to exit OEM Softener System Setup. Press REGEN to return to previous step.

## Setting Options Table

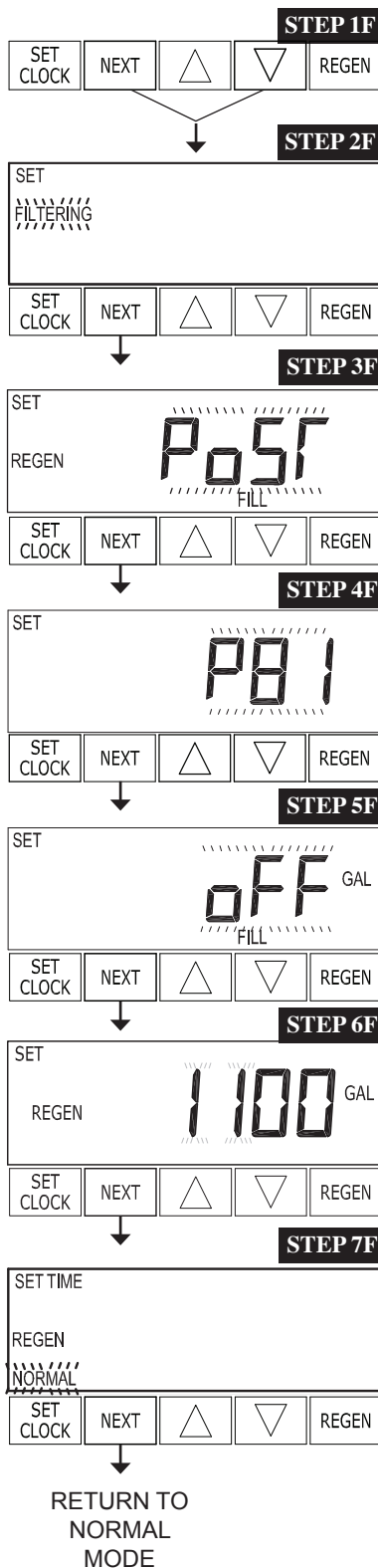
Filters should only use shaded options

Volume Capacity	Regeneration Time Option	Day Override	Result <sup>4</sup>
AUTO	NORMAL	oFF	Reserve capacity automatically estimated. Regeneration occurs when volume capacity falls below the reserve capacity at the next Regen Set Time
AUTO	NORMAL	Any number	Reserve capacity automatically estimated. Regeneration occurs at the next Regen Set Time when volume capacity falls below the reserve capacity or the specified number of days between regenerations is reached.
Any number	NORMAL	oFF	Reserve capacity <u>not</u> automatically estimated. Regeneration occurs at the next Regen Set Time when volume capacity reaches 0.
oFF	NORMAL	Any number	Reserve capacity <u>not</u> automatically estimated. Regeneration occurs at the next Regen Set Time when the specified number of days between regenerations is reached.
Any number	NORMAL	Any number	Reserve capacity <u>not</u> automatically estimated. Regeneration occurs at the next Regen Set Time when volume capacity reaches 0 or the specified number of days between regenerations is reached.
AUTO	On 0	oFF	Reserve capacity <u>not</u> automatically estimated. Regeneration occurs immediately when volume capacity reaches 0. Time of regeneration will not be allowed to be set because regeneration will always occur when volume capacity reaches 0.
Any number	On 0	oFF	Reserve capacity <u>not</u> automatically estimated. Regeneration occurs immediately when volume capacity reaches 0. Time of regeneration will not be allowed to be set because regeneration will always occur on 0.
AUTO	NORMAL + on 0	oFF	Reserve capacity automatically estimated. Regeneration occurs when volume capacity falls below the reserve capacity at the next Regen Set Time or regeneration occurs after 10 minutes of no water usage when volume capacity reaches 0.
AUTO	NORMAL + on 0	Any number	Reserve capacity automatically estimated. Regeneration occurs at the next Regen Set Time when volume capacity falls below the reserve capacity or the specified number of days between regenerations is reached or regeneration occurs after 10 minutes of no water usage when volume capacity reaches 0.
Any number	NORMAL + on 0	Any number	Reserve capacity <u>not</u> automatically estimated. Regeneration occurs at the next Regen Set Time when the specified number of days between regenerations is reached or regeneration occurs after 10 minutes of no water usage when volume capacity reaches 0.

<sup>4</sup>Reserve capacity estimate is based on history of water usage.

**OEM Filter System Setup**

This is a quick reference setup procedure. See OEM Filter System Setup Detail for more information on available settings.



**STEP 1F** – Press NEXT and ▼ simultaneously for 3 seconds. If screen in step 2F does not appear in 5 seconds the lock on the valve is activated. To unlock press ▼, NEXT, ▲, and SET CLOCK in sequence, then press NEXT and ▼ simultaneously for 3 seconds.

**STEP 2F** – Choose Filtering using ▼ or ▲. Press NEXT to go to step 3F. Press REGEN to exit OEM Filter System Setup.

**STEP 3F** – Set Refill option using ▼ or ▲:

- “PoST” to refill the brine tank after the final rinse; or
- “PrE” to refill the brine tank two hours before the regeneration time set.

Press NEXT to go to step 4F. Press REGEN to return to previous step.

**STEP 4F** – Program code: Enter the desired program code from Table 2, Table 5 or Table 6. Prior to selecting a Program Code, verify the correct valve body, main piston, regenerant piston, and stack are being used, and that the injector or injector plug(s) are in the correct locations. See Compliance Table in WS1 and WS1.25 Drawings and Service Manual. Press NEXT to go to Step 5F. Press REGEN to return to previous step.

**STEP 5F** – Enter “oFF” if regenerant is not used (i.e. backwash only) or enter the refill volume (in gallons) using ▼ or ▲. Press NEXT to go to step 6F. Press REGEN to return to previous step.

**STEP 6F** – Set Gallons Capacity using ▼ or ▲:

- “oFF” (regeneration based on day override); or
- number of gallons (20 to 50,000).

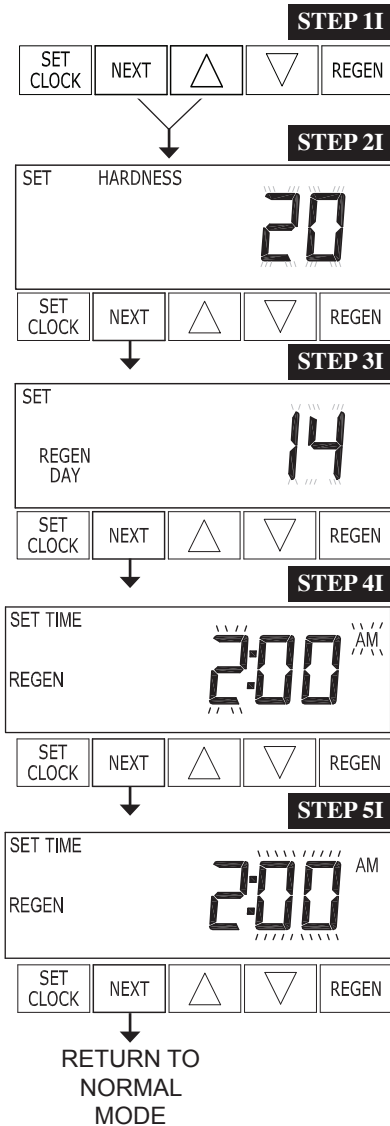
See Setting Options Table for more detail. Press NEXT to go to step 7F. Press REGEN to return to previous step.

**STEP 7F** – Set Regeneration Time Option using ▼ or ▲:

- “NORMAL” means regeneration will occur at the preset time;
- “on 0” means regeneration will occur immediately when the gallons capacity reaches 0 (zero); or
- “NORMAL + on 0” means regeneration will occur at one of the following:
  - the preset time when the specified number of days between regenerations is reached; or
  - after 10 minutes of no water usage when the gallon capacity reaches 0 (zero).

This display will not appear is Step 6F is set to oFF. See Setting Options Table for more detail. Press NEXT to exit OEM Filter System Setup. Press REGEN to return to previous step.

**Installer Display Settings**



**STEP 1I** - Press NEXT and ▲ simultaneously for 3 seconds.

**STEP 2I** – Hardness: Set the amount of hardness in grains of hardness as calcium carbonate per gallon using ▼ or ▲. The default is 20 with value ranges from 1 to 150 in 1 grain increments. Note: The grains per gallon can be increased if soluble iron needs to be reduced. This display will show “-nA-” if “FILTER” is selected in Step 2F or if ‘AUTO’ is not selected in Step 7S. Press NEXT to go to step 3I. Press REGEN to exit Installer Display Settings.

**STEP 3I** – Day Override: When gallon capacity is set to off, sets the number of days between regenerations. When gallon capacity is set to AUTO or to a number, sets the maximum number of days between regenerations. If value set to “oFF” regeneration initiation is based solely on gallons used. If value is set as a number (allowable range from 1 to 28) a regeneration initiation will be called for on that day even if sufficient number of gallons were not used to call for a regeneration. Set Day Override using ▼ or ▲:

- number of days between regeneration (1 to 28); or
- “oFF”.

See Setting Options Table for more detail on setup. Press NEXT to go to step 4I. Press REGEN to return to previous step.

**STEP 4I** – Next Regeneration Time (hour): Set the hour of day for regeneration using ▼ or ▲. AM/PM toggles after 12. The default time is 2:00 a.m. This display will show “REGEN on 0 GAL” if “on 0” is selected in Step 8S or Step 7F. Press NEXT to go to step 5I. Press REGEN to return to previous step.

**STEP 5I** – Next Regeneration Time (minutes): Set the minutes of day for regeneration using ▼ or ▲. This display will not be shown if “on 0” is selected in Step 8S or Step 7F. Press NEXT to exit Installer Display Settings. Press REGEN to return to previous step.

To initiate a manual regeneration immediately, press and hold REGEN for three seconds. The system will begin to regenerate immediately. The control valve may be stepped through the various regeneration cycles by pressing REGEN .

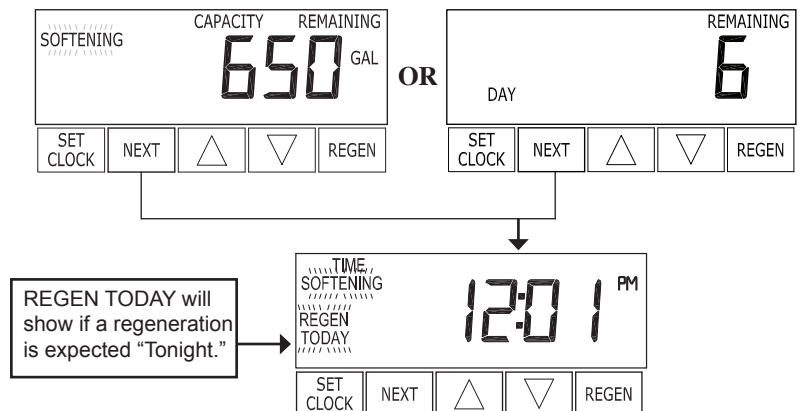
**User Display Settings**

General Operation

When the system is operating one of two displays will be shown. Pressing NEXT will alternate between the displays. One of the displays is always the current time of day. The second display is one of the following: days remaining or gallons remaining. Days remaining is the number of days left before the system goes through a regeneration cycle. Capacity remaining is the number of gallons that will be treated before the system goes through a regeneration cycle. The user can scroll between the displays as desired.

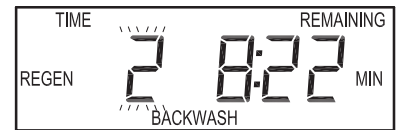
If the system has called for a regeneration that will occur at the preset time of regeneration, the words REGEN TODAY will appear on the display.

When water is being treated (i.e. water is flowing through the system) the word “Softening” or “Filtering” flashes on the display if a water meter is installed.



Regeneration Mode

Typically a system is set to regenerate at a time of low water usage. An example of a time with low water usage is when a household is asleep. If there is a demand for water when the system is regenerating, untreated water will be used.

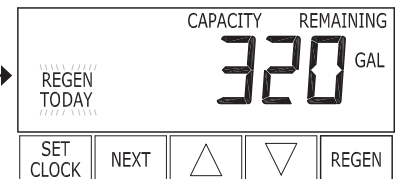


When the system begins to regenerate, the display will change to include information about the step of the regeneration process and the time remaining for that step to be completed. The system runs through the steps automatically and will reset itself to provide treated water when the regeneration has been completed.

Manual Regeneration

Sometimes there is a need to regenerate the system sooner than when the system calls for it, usually referred to as manual regeneration. There may be a period of heavy water usage because of guests or a heavy laundry day.

REGEN TODAY will Flash if a regeneration is expected "Tonight."



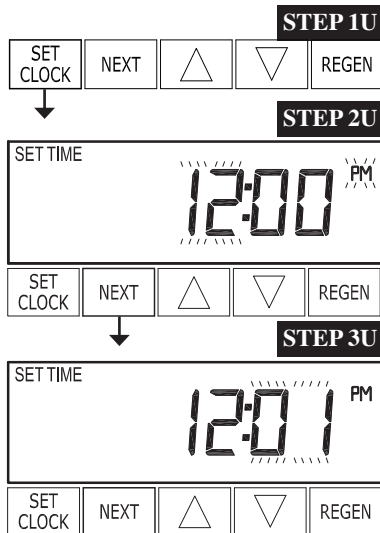
To initiate a manual regeneration at the preset delayed regeneration time, when the regeneration time option is set to "NORMAL" or "NORMAL + on 0", press and release REGEN. The words "REGEN TODAY" will flash on the display to indicate that the system will regenerate at the preset delayed regeneration time. If you pressed REGEN in error, pressing the button again will cancel the request. Note: If the regeneration time option is set to "on 0" there is no set delayed regeneration time so "REGEN TODAY" will not activate if "REGEN" button is pressed.

To initiate a manual regeneration immediately, press and hold REGEN for three seconds. The system will begin to regenerate immediately. The request cannot be cancelled.

Note: For softeners, if brine tank does not contain salt, fill with salt and wait at least two hours before regenerating.

Set Time of Day

The user can also set the time of day. Time of day should only need to be set after power outages lasting more than 8 hours, if the battery has been depleted and a power outage occurs, or when daylight saving time begins or ends. If a power outage lasting more than 8 hours occurs, the time of day will flash on and off which indicates the time of day should be reset. If a power outage lasts less than 8 hours and the time of day flashes on and off, the time of day should be reset and the battery replaced.



**STEP 1U** – Press SET CLOCK.

**STEP 2U** - Current Time (hour): Set the hour of the day using ▼ or ▲. AM/PM toggles after 12. Press NEXT to go to step 3U.

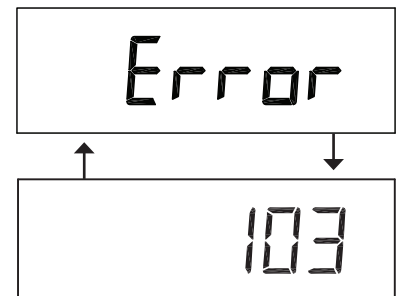
**STEP 3U** - Current Time (minutes): Set the minutes of the day using ▼ or ▲. Press NEXT to exit Set Clock. Press REGEN to return to previous step.

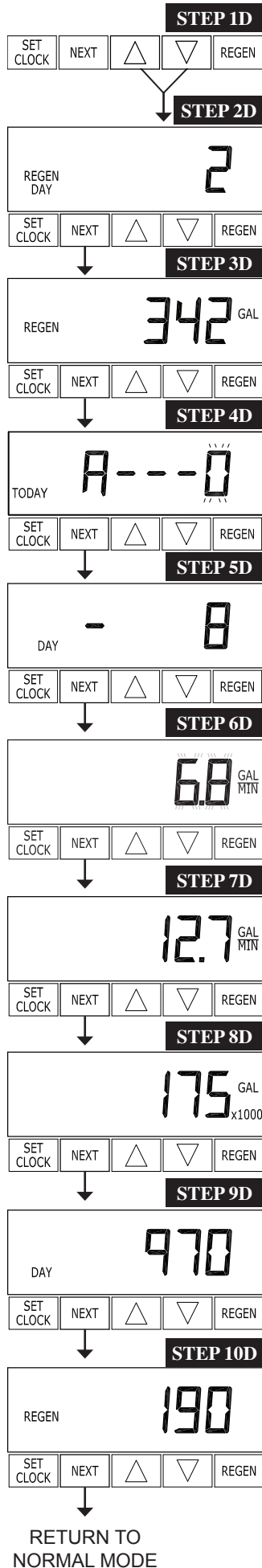
Power Loss

If the power goes out, the system will keep time for up to 8 hours or until the battery is depleted. If a power outage of more than 8 hours occurs, the time of day will flash on and off which indicates the time of day should be reset. The system will remember the rest. If a power outage lasts less than 8 hours and the time of day flashes on and off, the non rechargeable battery should be replaced.

Error Message

If the word "ERROR" and a number are alternately flashing on the display contact the OEM for help. This indicates that the valve was not able to function properly.





**Diagnostics**

**STEP 1D** – Press ▼ and ▲ simultaneously for three seconds. If screen in step 2D does not appear in 5 seconds the lock on the valve is activated. To unlock press ▼, NEXT, ▲, and SET CLOCK in sequence, then press ▲ and ▼ simultaneously for 3 seconds.

**STEP 2D** – Days, since last regeneration: This display shows the days since the last regeneration occurred. Press NEXT to go to Step 3D. Press REGEN to exit Diagnostics.

**STEP 3D** – Gallons, since last regeneration: This display shows the number of gallons that have been treated since the last regeneration. This display will equal zero if a water meter is not installed. Press NEXT to go to Step 4D. Press REGEN to return to previous step.

**STEP 4D** – Gallons, reserve capacity used for last 7 days: If the valve is set up as a softener, a meter is installed and Set Gallons Capacity is set to “Auto,” this display shows 0 day (for today) and

flashes the reserve capacity. Pressing ▲ will show day 1 (which would be yesterday) and flashes the reserve capacity used. Pressing ▲ again will show day 2 (the day before yesterday) and the reserve capacity. Keep pressing ▲ to show the gallons for days 3, 4, 5 and 6. ▼ can be pressed to move backwards in the day series. Press NEXT at any time to go to Step 5D. Press REGEN to return to previous step.

**STEP 5D** - Gallons, 63 day usage history: This display shows day 1 (for yesterday) and flashes the number of gallons treated yesterday. Pressing ▲ will show day 2 (which would be the day before yesterday) and flashes the number of gallons treated on that day. Continue to press ▲ to show the maximum number of gallons treated for the last 63 days. This display will show dashes if a water meter is not installed. Press NEXT at any time to go to Step 6D. Press REGEN to return to previous step.

**STEP 6D** – Flow rate, current: Turn the water on at one or more taps in the building. The flow rate in gallons per minute will be displayed. If flow stops the value will fall to zero in a few seconds. This display will equal zero if a water meter is not installed. Press NEXT to go to Step 7D. Press REGEN to return to previous step.

**STEP 7D** – Flow rate, maximum last seven days: The maximum flow rate in gallons per minute that occurred in the last seven days will be displayed. This display will equal zero if a water meter is not installed. Press NEXT to go to Step 8D. Press REGEN to return to previous step.

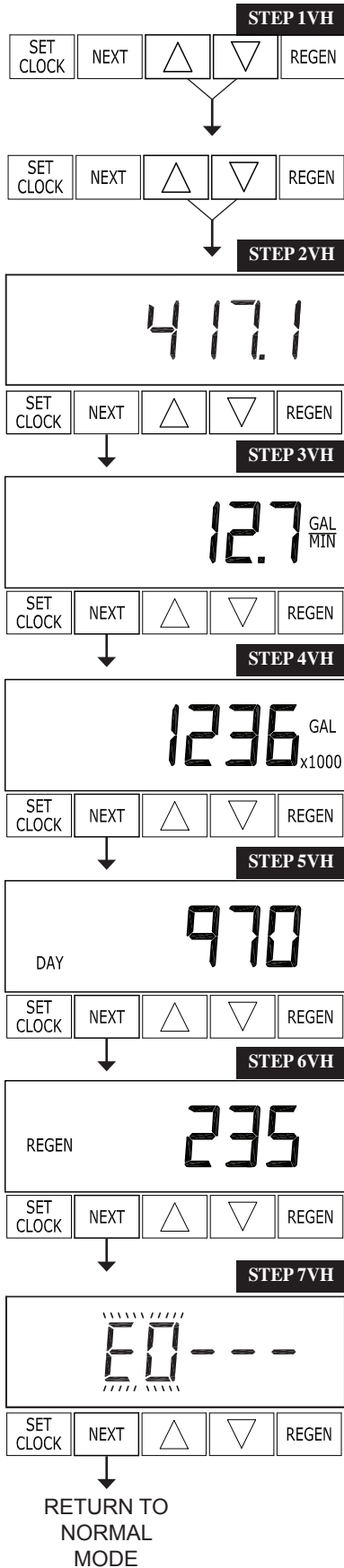
**STEP 8D** – Gallons, total used since last reset: The total number of gallons used since last reset will be displayed. This display will equal zero if a water meter is not installed. Press NEXT to go to Step 9D. Press REGEN to return to previous step.

**STEP 9D** – Days, total number since last reset: The total number of days the control valve has been in service since last reset will be displayed. Press NEXT to go to Step 10D. Press REGEN to return to previous step.

**STEP 10D** – Regenerations, total number since last reset: The total number of regenerations that have occurred since last reset will be displayed. Press NEXT to exit Diagnostics. Press REGEN to return to previous step.

**When desired, all information in Diagnostics may be reset to zero when the valve is installed in a new location. To reset to zero, press NEXT and ▼ simultaneously to go to the Service/OEM screen, and release. Press ▼ and ▲ simultaneously to reset diagnostic values to zero. Screen will return to user display.**

**Valve History**



**STEP 1VH** – Press ▼ and ▲ simultaneously for three seconds and release. Then press ▼ and ▲ simultaneously and release. If screen in step 2VH does not appear in 5 seconds the lock on the valve is activated. To unlock press ▼, NEXT, ▲, and SET CLOCK in sequence, then press ▼ and ▲ simultaneously for 3 seconds and release. Then press ▼ and ▲ simultaneously and release.

**STEP 2VH** – Software Version: This display shows the software version of the valve. Press NEXT to go to Step 3VH. Press REGEN to exit Valve History.

**STEP 3VH**<sup>5</sup> – Flow rate, maximum since startup: This display shows the maximum flow rate in gallons per minute that has occurred since startup. This display will equal zero if a water meter is not installed. Press NEXT to go to Step 4VH. Press REGEN to return to previous step.

**STEP 4VH** – Gallons, total used since start-up: This display shows the total gallons treated since startup. This display will equal zero if a water meter is not installed. Press NEXT to go to Step 5VH. Press REGEN to return to previous step.

**STEP 5VH** – Days, total since start-up: This display shows the total days since startup. Press NEXT to go to Step 6VH. Press REGEN to return to previous step.

**STEP 6VH** – Regenerations, total number since start-up: This display shows the total number of regenerations that have occurred since startup. Press NEXT to go to Step 7VH. Press REGEN to return to previous step.

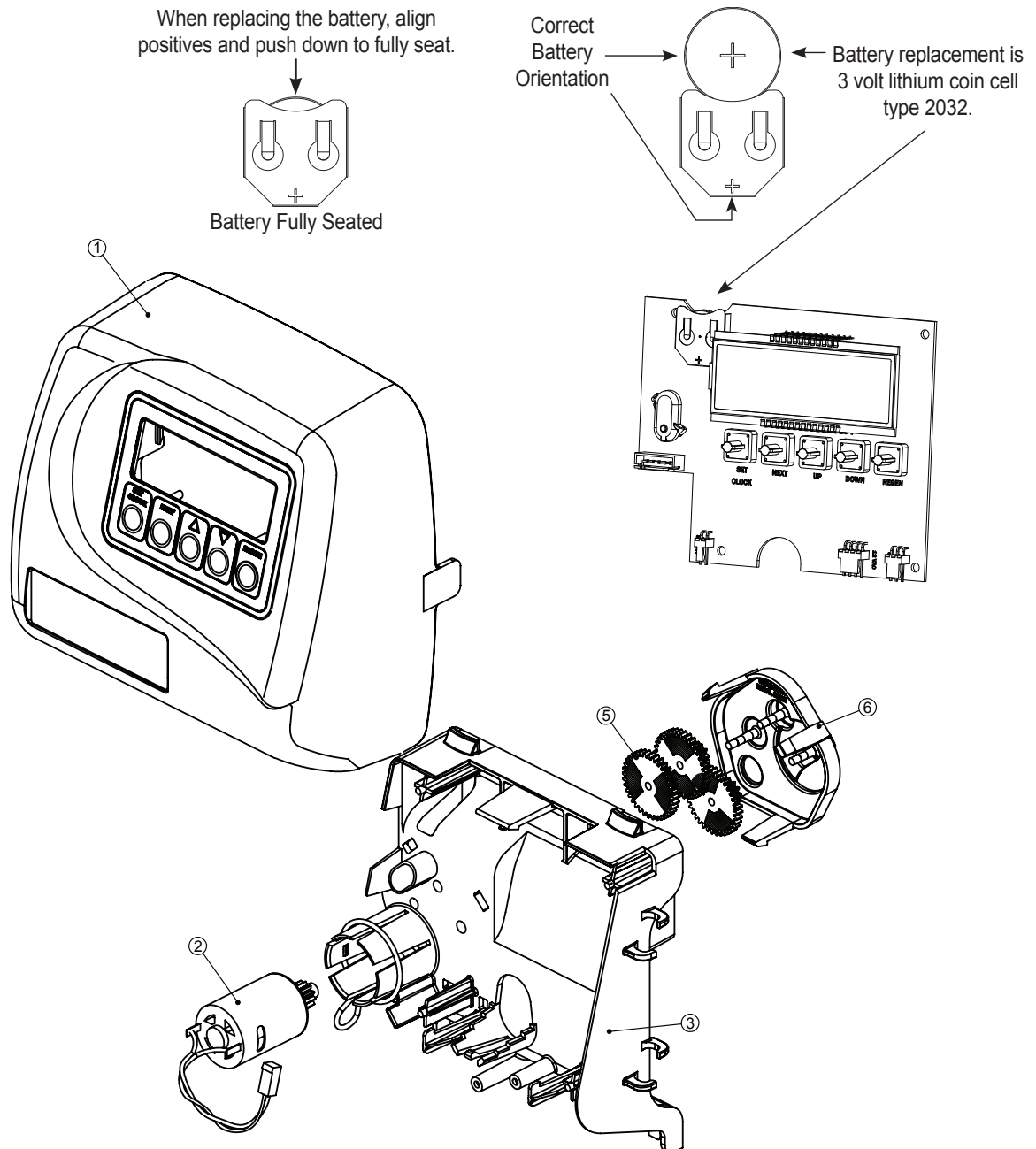
**STEP 7VH** – Error Log: This display shows a history of the last 10 errors generated by the control during operation. Press ▼ or ▲ to review each error recorded. Press NEXT to exit Valve History. Press REGEN to return to previous step.

<sup>5</sup> Values in steps 3VH through 7VH cannot be reset.

CS Front Cover and Drive Assembly

Drawing No.	Order No.	Description	Quantity
1	V3175-01	WS1 FRONT COVER ASY	1
2	V3107-01	WS1 MOTOR	1
3	V3106-01	WS1 DRIVE BRACKET & SPRING CLIP	1
4	V3108CS-03BOARD	WS1/125 CS PCB XMEGA SMT REPL	1
5	V3110	WS1 DRIVE REDUCING GEAR 12X36	3
6	V3109	WS1 DRIVE GEAR COVER	1
	V3002	WS1 DRIVE ASY	*
Not Shown	V3186	WS1 AC ADAPTER 120V - 12V	1

AC Adapter	U.S.	International
Supply Voltage	120 V AC	230V AC
Supply Frequency	60 Hz	50 Hz
Output Voltage	12 V AC	12 V AC
Output Current	500 mA	500 mA

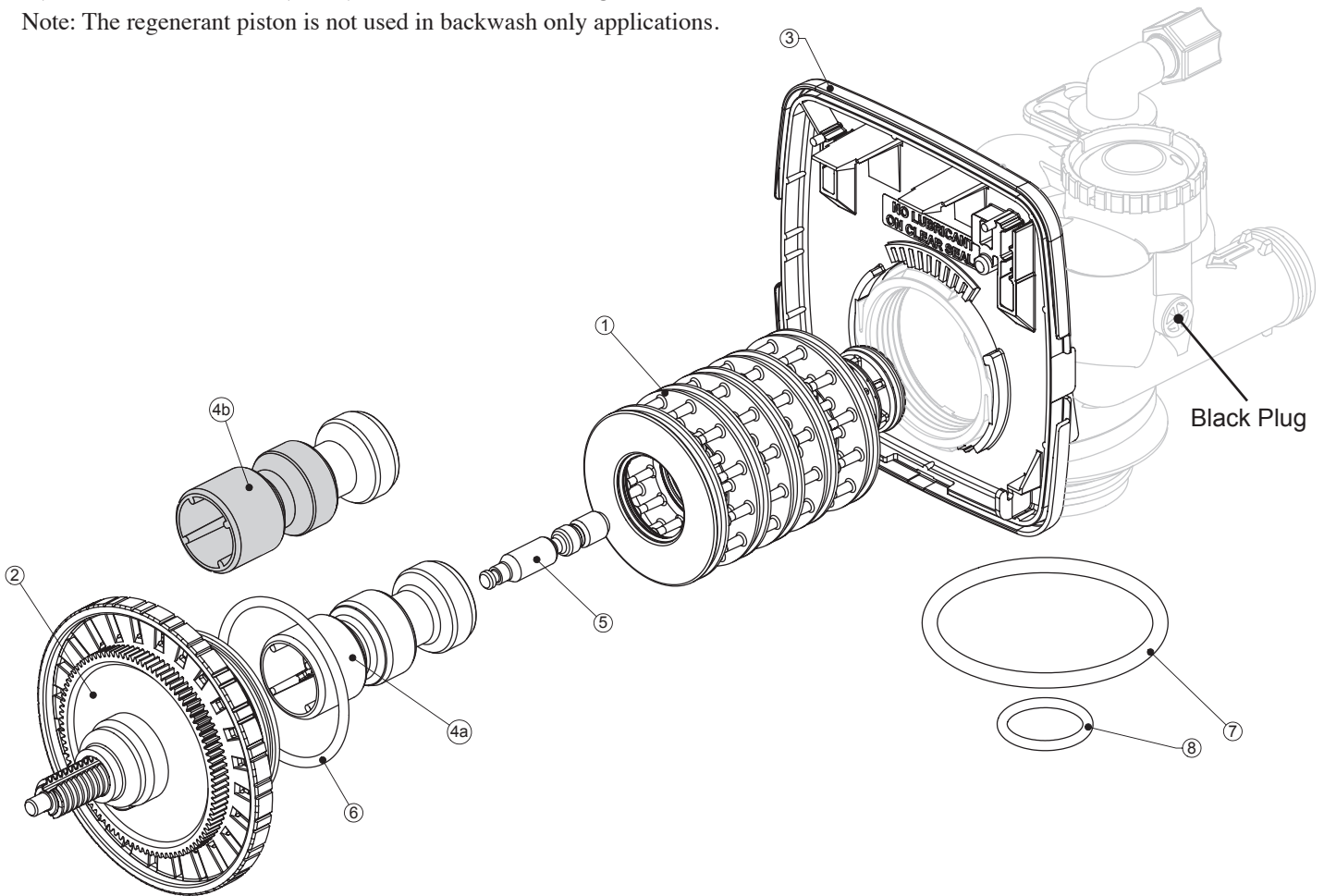




WS1CS Drive Cap Assembly, Downflow Piston, Upflow Piston, Regenerant Piston and Spacer Stack Assembly

Drawing No.	Order No.	Description	Quantity
1	V3005-02	WS1 Spacer Stack Assembly	1
2	V3004	Drive Cap ASY	1
3	V3178	WS1 Drive Back Plate	1
4a	V3011*	WS1 Piston Downflow ASY	1
4b	V3011-01*	WS1 Piston Upflow ASY	
5	V3174	WS1 Regenerant Piston	1
6	V3135	O-ring 228	1
7	V3180	O-ring 337	1
8	V3105	O-ring 215 (Distributor Tube)	1
Not Shown	V3001	WS1 Body ASY Downflow	1
	V3001-02	WS1 Mixing Valve Body ASY	
	V3001UP	WS1 Body ASY Upflow	
	V3001-02UP	WS1 Mixing Valve Body Upflow ASY	
Not Shown	V3013	WS1 Mixing Valve ASY	1

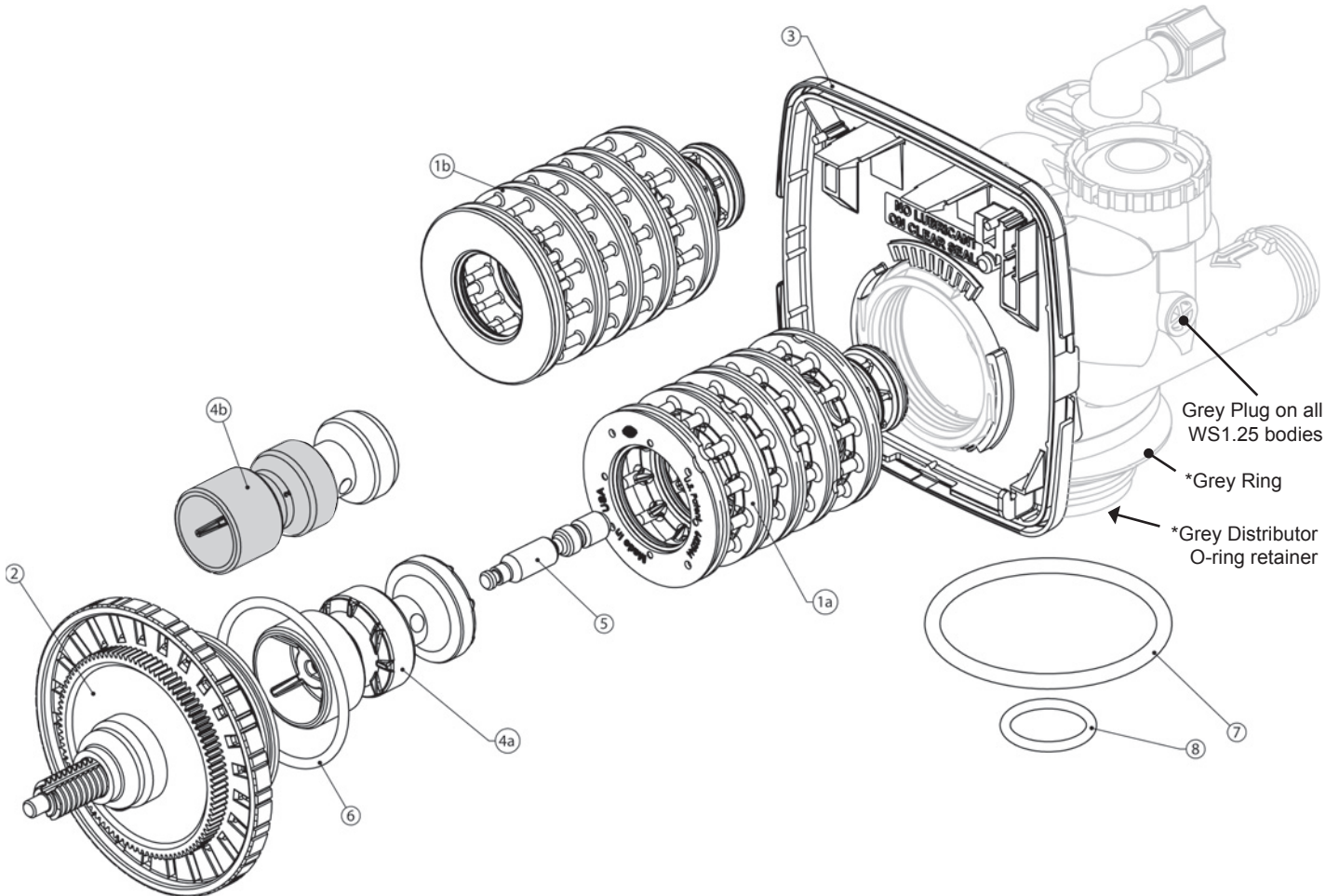
\*V3011 is labeled with DN and V3011-01 is labeled with UP.  
 Note: The regenerant piston is not used in backwash only applications.



**WS1.25CS Drive Cap Assembly, Downflow Piston, Upflow Piston, Regenerant Piston and Spacer Stack Assemblies**

Drawing No.	Order No.	Description	Quantity
1a	V3430-01	WS1.5 Spacer Stack Assembly	1
1b	V3005-02	WS1 Spacer Stack Assembly	
2	V3004	Drive Cap Assembly	1
3	V3178	WS1 Drive Back Plate	1
4a	V3407	WS1.5 Piston Downflow Assembly	1
4b	V3011-01	WS1 Piston Upflow Assembly	
5	V3174	WS1 Regenerant Piston	1
6	V3135	O-ring 228	1
7	V3180	O-ring 337	1
8	V3358	O-ring 219 (Distributor tube opening 1.32")	1
	V3357	O-ring 218 (Distributor tube opening 32mm)	
Not Shown	V3020	WS1.25 Body Assembly Downflow (Distributor tube opening 1.32")	1
	V3020-01	WS1.25 Mixing Valve Body Downflow Asy (Distributor tube opening 1.32")	
	V3020-02	WS1.25 Body Assembly Downflow (Distributor tube opening 32mm)	
	V3020-03	WS1.25 Mixing Valve Body Downflow Asy (Distributor tube opening 32mm)	
	V3020UP	WS1.25 Body Assembly Upflow (Distributor tube opening 1.32")	
	V3020-02UP	WS1.25 Body Assembly Upflow (Distributor tube opening 32mm)	

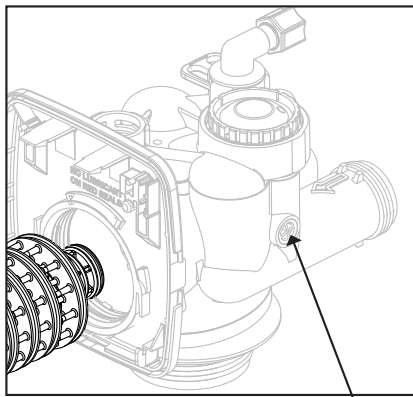
Note: The regenerant piston is not used in backwash only applications.



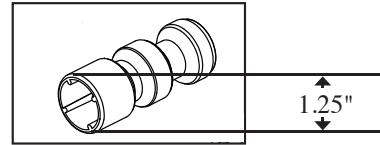
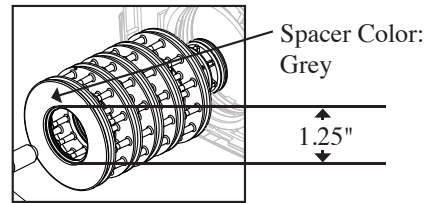
\*Only for valves that have a 32mm Distributor Tube Opening

WS1 & WS1.25 Identification Figure

WS1 with 1.050" Distributor Tube Opening Identification

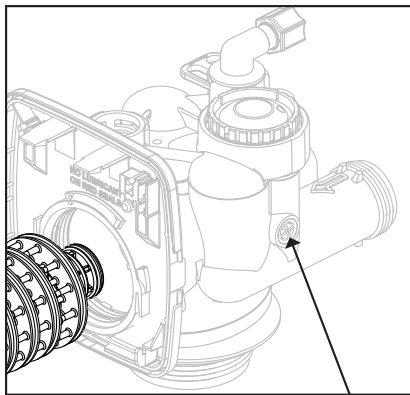


Black Plug



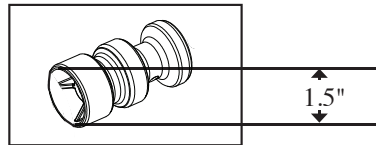
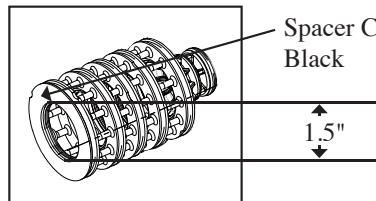
Note: The WS1 downflow piston is a solid amber color. The WS1 upflow piston is black and amber.

WS1.25 with 1.32" Distributor Tube Opening Identification

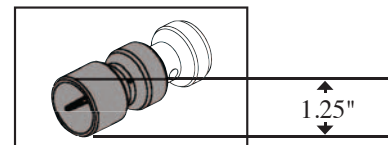
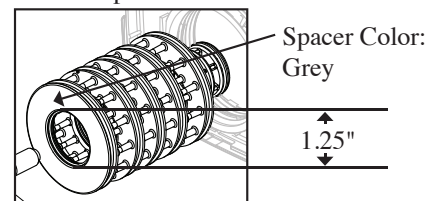


Grey Plug

Down flow and Backwash

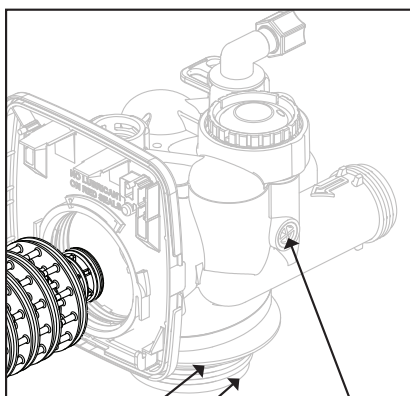


Upflow



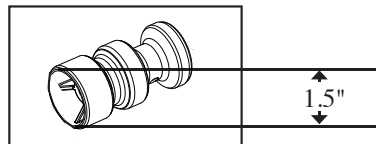
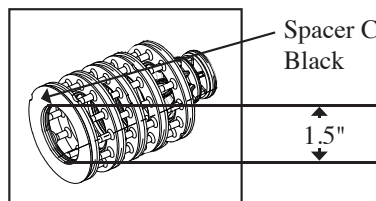
Note: The WS1 downflow piston is a solid amber color. The WS1 upflow piston is black and amber.

WS1.25 with 32mm Distributor Tube Opening Identification

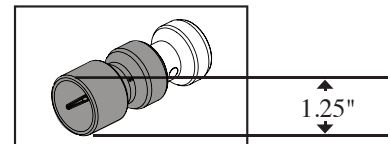
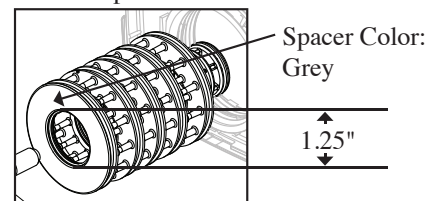


Grey Ring  
Grey Plug  
Grey Distributor O-ring Retainer

Down flow and Backwash



Upflow



Note: The WS1 downflow piston is a solid amber color. The WS1 upflow piston is black and amber.

**Revision History:****4/13/2012**

Not Shown	V3186	WS1 AC ADAPTER 120V - 12V	1
-----------	-------	---------------------------	---

**11/18/2013****PAGE 9:**

STEP 4S - Display

STEP 8S - Display

**5/14/2014****PAGE 13:**

New regeneration cycle status display, new error display

**PAGE 15:**

Step 7VH Error Log: new display

**PAGE 16:**

4	V3108CS-02BOARD	WS1/125 CS PCB XMEGA REPL	1
---	-----------------	---------------------------	---

New board drawing

**9/9/2014****PAGE 16:**

4	V3108CS-03BOARD	WS1/125 CS PCB XMEGA SMT REPL	1
---	-----------------	-------------------------------	---

**3/4/2016****PAGE 17:**

1	V3005-02	WS1 Spacer Stack Assembly	1
---	----------	---------------------------	---

**PAGE 18:**

1a	V3430-01	WS1.5 Spacer Stack Assembly	1
1b	V3005-02	WS1 Spacer Stack Assembly	