

INSTALLATION, WARNINGS, AND OPERATION INSTRUCTIONS

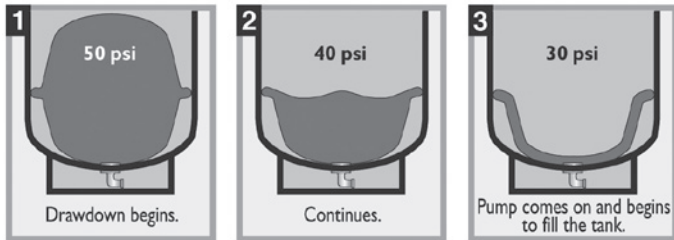
FLEXCON COMPOSITE WELL TANKS

OPERATION

This well tank has been designed to store and deliver water under pressure between pump cycles in a domestic water system. It features a patented Controlled Action Diaphragm (CAD2) system that completely contains the system water in a safe NSF approved chamber. The CAD2 system prevents water from ever touching the internal walls of the tank which greatly reduces external condensation.

WHAT IT DOES

Without a storage tank, a domestic water system's pump would cycle (turn on) every time there was a demand for water. This frequent and potentially short cycling would shorten the useful life of the pump. Flexcon well tanks are designed to store water when the pump is running and then deliver pressurized water back to the system when the pump is shut off. A properly sized well tank will store at least one gallon of water for every gallon per minute (GPM) of pump capacity. This allows for fewer pump starts and longer run times which should maximize the life of the pump.



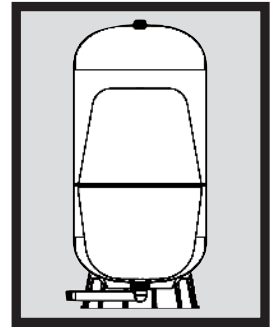
THIS IS THE SAFETY ALERT SYMBOL. IT IS USED TO ALERT YOU TO POTENTIAL PERSONAL INJURY HAZARDS. OBEY ALL SAFETY MESSAGES THAT FOLLOW THIS SYMBOL TO AVOID POSSIBLE INJURY OR DEATH.

WARNING

INDICATES A POTENTIALLY HAZARDOUS SITUATION WHICH, IF NOT AVOIDED, COULD RESULT IN SERIOUS INJURY, DEATH, AND/OR SIGNIFICANT PROPERTY DAMAGE.

WARNING

This product must be installed by a **Qualified Professional** following all local and national plumbing and electrical codes. Read and understand fully the instructions included here and those on the Flexcon website which are updated on a regular basis. This product must be inspected annually by a qualified professional for any signs of corrosion or leakage and replaced immediately if these signs are present. Failure to follow these instructions may result in serious injury, death and/or property damage and will void the product warranty.



WARNING

EXPLOSION HAZARD This well tank is designed for water storage at a maximum pressure of 125 psi and a maximum temperature of 120 F. A properly sized pressure relief valve set at a maximum of 100 psi must be installed in the system. This tank is shipped with a pre-charge of 38 psi and any adjustment to the pre-charge must be done prior to installation and at ambient temperature. Do not adjust the pre-charge of this tank if the product is corroded or damaged or shows any signs of diminished integrity. The maximum allowable pre-charge in this expansion tank is 80 psi. Failure to follow these instructions is UNSAFE and may result in serious injury, death and/or property damage.

WARNING

This well tank and the associated piping will in time leak. This tank must be installed in a location where water leakage will not cause property damage and there must be means for adequate drainage. This tank must not be installed in a location that is subject to freezing. This tank must be installed in the vertical position. The manufacturer of this product is not liable or responsible for any water damage associated with the installation and or failure of this product. Failure to follow these instructions may result in serious injury, death and/or property damage.

WARNING

This tank is intended for use on potable water systems only and any other use may be dangerous and will void the warranty. This products performance and lifespan can be significantly impacted by aggressive water conditions. A water test should be conducted specifically looking for corrosive water, acids and other relevant water contaminants which if present must be treated appropriately. The system piping must be properly grounded to earth. A dielectric union may be required in the system. Failure to follow these instructions may result in serious injury, death and/or property damage.

WARNING

CALIFORNIA PROPOSITION 65 **WARNING!** This product contains a chemical known to the State of California to cause cancer and birth defects or other reproductive harm. (California installer-California law requires that this notice be given to the consumer/end user of the product). For more information, contact the manufacturer at www.flexconind.com.

These instructions and warnings are subject to periodic updates on the Flexcon website, www.flexconind.com, and should be regularly reviewed by the consumer for important safety and instruction updates.



BEFORE INSTALLATION

PRE-CHARGE ADJUSTMENT

This well tank is shipped from the factory with a pre-charge of 38 psi. The well tank should be pre-charged to 2 PSI below the cut-in setting of the pressure switch but must not exceed 80 psi. Any adjustments to the factory pre-charge must be done prior to initial tank installation and with 0 psi pressure on the system. **DO NOT ADJUST THE PRE-CHARGE OF THE EXPANSION TANK WITH THE SYSTEM UNDER PRESSURE!**

TO ADJUST TANK PRECHARGE (Prior to Installation)

Remove the protective cap from the air valve.

Check the tank pre-charge pressure using a standard tire pressure gauge.

If required add air to the tank using a manual bicycle tire pump until the proper pre-charge pressure is reached.

Replace the protective cap on the air valve.

TO ADJUST TANK PRECHARGE (After Installation)

Disconnect power to the system pump.

Drain the tank of water by opening a faucet.

Add or release air as required (see above).

WARNING

Do not adjust the tank air pressure if there are any visible signs of corrosion on the tank. If this well tank shows any visible signs of corrosion or rusting, the tank must be replaced immediately. Failure to follow these instructions may result in serious injury, death and/or property damage.

INSTALLATION

LOCATION

Select a location where a water leak will not cause property damage and provides adequate means for water drainage. This well tank and the associated piping will in time leak. The manufacturer is not responsible for any water damage that may occur in association with the well tank installation. The tank location should be as close as possible to the system pressure switch to reduce the negative effects of friction/elevation pressure loss. This tank has been designed to be mounted on a level surface and must be adequately supported around the entire base.

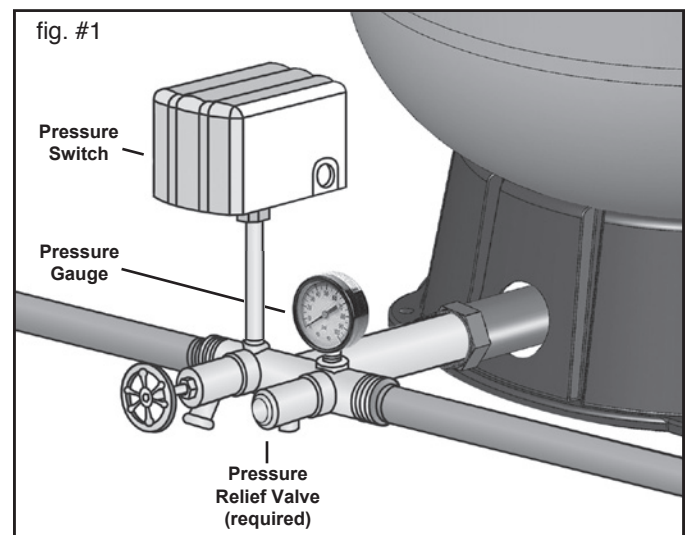
WARNING Disconnect or shut off the electrical power source to the system pump. Shut off the water supply to the system and remove all water pressure from the system. Failure to follow these instructions may result in serious injury, death and/or property damage.

Install the well tank in the incoming water line from the pump and before any fixtures (see Fig. 1). Adequate thread sealant (pipe dope) must be added to ensure a leak free installation.

WARNING A properly sized pressure relief valve set at a maximum of 100 psi must be installed in the system.

Before turning on the water supply to the system, open a water faucet to allow air from the system piping to be released. Turn on the power to the water supply and the pump should turn on, filling the system piping. When the water is flowing freely from the faucet without air, close the faucet. The pump will continue to run filling the well tank. Inspect the installation for water leaks paying close attention to the connection between the well tank and the system piping.

TYPICAL INSTALLATION

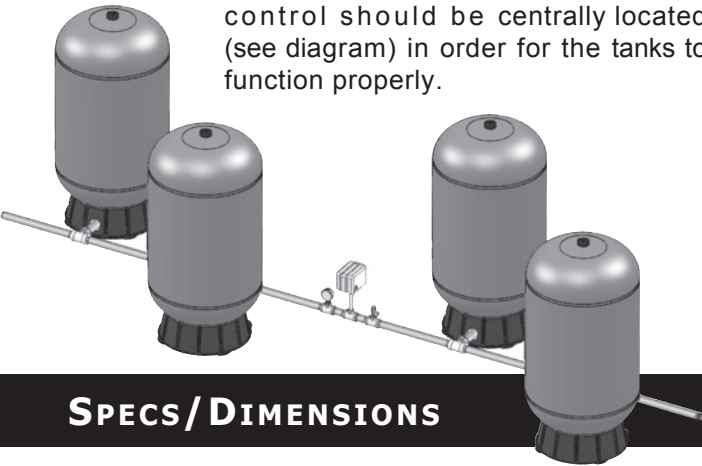


MAINTENANCE

- This well tank and the entire system must be checked annually by a qualified professional.
- Visually examine the tank and its connection to the system piping looking for any signs of water leakage or corrosion on the exterior of the tank or the connection.

MULTI TANK INSTALLATION

All of the tanks must have the same pre-charge for the system to function properly. Adjust each tank's pre-charge as detailed on page 2. The system pressure switch or control should be centrally located (see diagram) in order for the tanks to function properly.



SPECS/DIMENSIONS

MATERIALS OF CONSTRUCTION

- *Top and bottom domes: Injection molded copolymer polypropylene*
- *Shell: Extruded copolymer polypropylene*
- *Outer shell: Fiberglass-wound, coated with epoxy resin*
- *Water chambers: Top diaphragm is 100% butyl rubber, lower water chamber is copolymer polypropylene*
- *Base: Copolymer polypropylene*
- *Connection: Rigid Schedule 80 PVC*
- *Air valve: Brass valve with o-ring seal*
- *Warranty: 5 year limited*

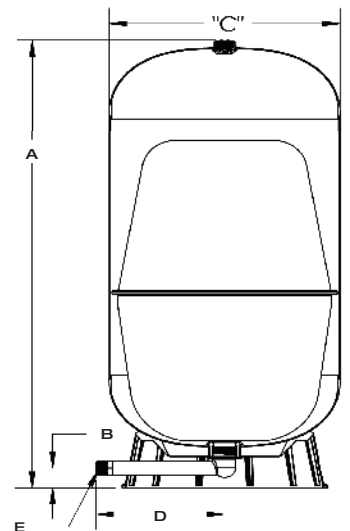
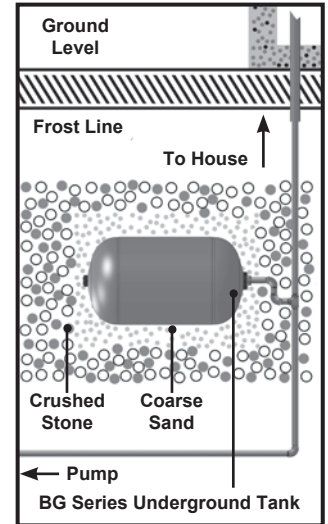
COMPOSITE TANK DIMENSIONS

Total Tank Volume		A Height		B Floor to CL		C Diameter		D CL to fitting end		E Connection	Total Weight	
gal	liters	in	cm	in	cm	in	cm	in	cm		lbs	kilos
15	56.8	25.6	64.0	1.75	4.4	16.5	41.9	9.4	23.9	1" NPT	19.0	8.6
22	83.3	34.1	84.1	1.75	4.4	16.5	41.9	9.4	23.9	1" NPT	24.0	10.9
35	132.5	48.9	121.7	1.75	4.4	16.5	41.9	9.4	23.9	1" NPT	33.5	15.2
38	143.8	29.75	74.7	2.25	5.7	24.2	61.5	11.9	30.2	1 1/4" NPT	38.0	15.9
50	189.3	43.3	109.0	2.25	5.7	21.4	54.4	11.9	30.2	1 1/4" NPT	47.0	21.3
65	246.0	51.3	129.3	2.25	5.7	21.4	54.4	11.9	30.2	1 1/4" NPT	58.0	26.3
82	310.4	64.7	163.3	2.25	5.7	21.4	54.4	11.9	30.2	1 1/4" NPT	69.5	31.5
90	340.7	57.0	143.8	2.25	5.7	24.2	61.5	13.4	34.0	1 1/4" NPT	77.0	34.9
119	450.4	72.1	182.1	2.25	5.7	24.2	61.5	13.4	34.0	1 1/4" NPT	99.5	45.1

Maximum working pressure 125 psig. Maximum working temperature, internal & external 120° F.
Tank pre-charge 38 psig.

UNDERGROUND INSTALLATION

The Flexcon BG series has a specially formulated exterior finish for direct burial in the ground below the frost line. Adjust tank pre-charge prior to burial. Ensure that the tank will be buried above the water table and below the frost line. The tank should be embedded in coarse sand above crushed stone. To minimize stress on the tank and connection in the event of shifting of the sand surrounding the tank, we recommend the use of a swing joint connection (see diagram). Make sure to completely backfill the hole with sand and compact to prevent tank settling. Permanently mark and identify the location of the tank.



FLEXCON INDUSTRIES LIMITED PRODUCT WARRANTY

PRODUCTS COVERED: COMPOSITE WELL TANKS MANUFACTURED AND DISTRIBUTED BY FLEXCON INDUSTRIES

Important: Read carefully the installation, operating and maintenance instructions manual ("Manual") to avoid serious personal injury and/or property damage and to ensure safe use and proper care of this Product.

Warranty - Warranty is extended to all purchasers of the new product. The warranty is non-transferable. Flexcon warrants to the purchaser or first user of the new Product that at the time of manufacture, the Product is free from defect in material or workmanship for five (5) years from the date of manufacture. Any warranty claim must be made within five (5) years (unless another time period is set forth in the Manual), measured from the date of manufacture.

In the event of a breach of the foregoing warranty and upon proper and timely notification to Flexcon, Flexcon will at its option either: make repairs to correct any defect in material or workmanship, or supply and ship either new or used replacement parts or products. Flexcon will not accept any claims for, nor will Flexcon be responsible for, any other costs including labor.

Exclusions - This warranty does not cover any failure or problem unless it was caused by a defect in material or workmanship. In addition, this warranty shall not apply:

- If the Product is not correctly installed, operated, repaired or maintained as described in the Manual provided with the Product.
- To any failure or malfunction resulting from (i) misuse or abuse, (ii) improper or negligent handling, shipping (by anyone other than Flexcon), storage, use or operation, or (iii) damages to the tank caused by lightning, floods, fire, freezing or any other environmental condition.
- To damages caused by any unauthorized alteration to the Product, or any attempt to repair tank leaks or parts.
- To any failure or problem resulting from the use of the Product for any purpose other than those specified in the Manual.
- If the Product is used anywhere except the United States, its territories or possessions, or Canada.
- To labor costs, shipping charges, service charges, delivery expenses, administrative fees or any costs incurred in removing or reinstalling the Products.
- To any claims submitted to Flexcon or a Flexcon authorized distributor or dealer more than 30 days after expiration of the applicable warranty time period described in this Warranty.
- To any repair or replacement costs not authorized in advance by Flexcon.

Warranty Limitations - All implied warranties including the implied warranties of merchantability and fitness for a particular purpose are specifically disclaimed.

Limitations of Remedies - The remedies contained in this warranty are the purchaser's or first user's exclusive remedies. In no circumstances will Flexcon be liable for more than, and purchaser-first user's remedies shall not exceed, the price paid for the Product. In no case shall Flexcon be liable for any special, indirect, incidental or consequential damages, whether resulting from non-delivery or from the use, misuse, or inability to use the Product or from defects in the product or from Flexcon's own negligence or other tort. These exclusions apply regardless of whether such damages are sought for breach of warranty, breach of contract, negligence, strict liability, in tort or under any other legal theory. Excluded damages include, but are not limited to, inconvenience, loss or damage to property, mold, loss of profits, loss of savings or revenue, loss of use of the Products or any associated equipment, facilities, buildings or services, downtime, and the claims of third parties including customers.

What To Do If You Have a Problem Covered By This Warranty - You must notify the authorized Flexcon distributor or dealer who sold you the Product within 30 days of the event leading to the Warranty claim. Any covered Warranty service must be authorized by the Flexcon distributor or dealer which sold you the Product. If you do not receive a prompt response, call Flexcon directly at 781.986.2424. Notice of a Warranty claim should be submitted within 60 days of the event leading to the claim by the authorized distributor/dealer to Flexcon at the following address:

Flexcon Industries, Warranty Claim Dept., P.O. Box 782, Randolph, MA 02368

Before Flexcon determines to provide any replacement part or Product, it may, as a pre-condition to making such a determination, require that the warranty claimant ship the Product, postage prepaid, to an authorized Flexcon distributor, or to Flexcon, and provide proof of purchase evidenced by the original sales receipt.

Replacement Product Warranty - In case of replacement of a Product or any component part, Flexcon reserves the right to make changes in the design, construction, or material of the substitute components or products, which shall be subject to all of the terms and limitations of this Warranty, except that the applicable warranty periods shall be reduced by the amount of time the warranty claimant owned the product prior to submitting notification or the warranty claim.

Owners Record Keep for later use

Serial number (see tank data label at bottom of tank): _____

Model (see tank data label at bottom of tank): _____

Date Installed: _____

Installer Name: _____

Telephone number: _____

Retain copy of cancelled check and installation receipt



INSTALACIÓN, ADVERTENCIAS E INSTRUCCIONES DE FUNCIONAMIENTO

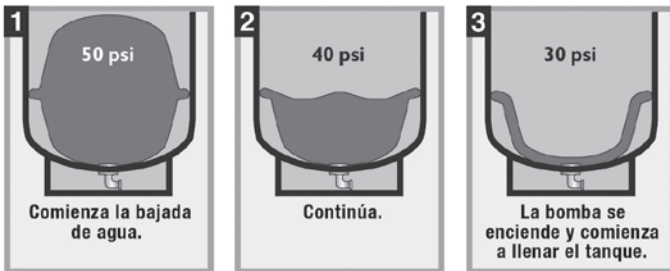
TANQUES DE AGUA EN COMPUESTO FLEXCON

FUNCIONAMIENTO

Este tanque de agua fue diseñado para almacenar y suministrar agua bajo presión entre los ciclos de la bomba en un sistema de agua doméstico. Incluye un sistema patentado de diafragma de acción controlada (CAD2) que contiene integralmente el sistema de agua en una cámara segura aprobada por la NSF. El sistema CAD2 evita que el agua entre en contacto con las paredes internas del tanque lo que permite reducir en gran medida la condensación externa.

LO QUE HACE

Sin un tanque de almacenamiento, la bomba del sistema doméstico de agua se prendería cada vez que se necesita agua. Estos ciclos de funcionamiento frecuentes y potencialmente cortos disminuirían la vida útil de la bomba. Los tanques de Flexcon están diseñados para almacenar agua cuando la bomba está funcionando para luego proveer al sistema agua presurizada cuando la bomba está apagada. Un tanque de agua del tamaño adecuado almacenará al menos un galón de agua por cada galón por minuto (GPM) de capacidad de la bomba. De esta manera, la bomba se encenderá menos veces y cuando esté en funcionamiento lo hará por períodos más prolongados maximizando así su vida útil.



ESTE ES EL SÍMBOLO DE ALERTA DE SEGURIDAD. SE UTILIZA PARA ALERTARLE SOBRE PELIGROS POTENCIALES DE LESIÓN FÍSICA. OBSERVE TODOS LOS MENSAJES DE SEGURIDAD QUE ACOMPAÑAN A ESTE SÍMBOLO PARA EVITAR POSIBLES LESIONES O LA MUERTE.

ADVERTENCIA

INDICA UNA SITUACIÓN POTENCIALMENTE PELIGROSA QUE, SI NO SE EVITA, PODRÍA RESULTAR EN LESIONES GRAVES O LA MUERTE.

ADVERTENCIA Este producto debe ser instalado por un profesional calificado siguiendo todos los códigos eléctricos y de plomería locales y nacionales. Lea y comprenda totalmente las instrucciones incluidas aquí y aquellas en el sitio web de Flexcon que se actualizan en forma regular. Este producto debe ser inspeccionado todos los años por un profesional calificado para verificar la presencia de signos de corrosión o de filtraciones y se debe reemplazar de inmediato si se detecta alguno de estos signos. No seguir estas instrucciones puede resultar en lesiones graves o la muerte o en daños a la propiedad y anulará la garantía del producto.

ADVERTENCIA PELIGRO DE EXPLOSIÓN Este tanque de agua está diseñado para almacenar agua a una presión máxima de 125 psi y una temperatura máxima de 120° F. El sistema debe incluir una válvula de seguridad del calibre adecuado y regulada a un máximo de 100 psi. Este tanque se entrega con una precarga de 38 psi y toda regulación de la precarga deberá realizarse antes de la instalación y a temperatura ambiente. No ajuste la precarga del tanque si el producto tiene corrosión o está dañado o si presenta signos de que su integridad está disminuida. La precarga máxima permitida en este tanque de expansión es de 80 psi. No seguir estas instrucciones es INSEGURO y podría resultar en lesiones graves o la muerte o en daños a la propiedad.

ADVERTENCIA Este tanque de agua y las tuberías asociadas pueden presentar filtraciones con el transcurso del tiempo. Se debe instalar el tanque en un lugar donde las filtraciones de agua no causen daños a la propiedad y se deberá contar con un sistema de drenaje adecuado. No se debe instalar el tanque en un lugar donde se pueda congelar. La posición de instalación debe ser vertical. El fabricante de este producto no se responsabiliza por ningún daño ocasionado por el agua y asociado con la instalación o las fallas del producto. No seguir estas instrucciones puede resultar en lesiones físicas o daños a la propiedad.

ADVERTENCIA Este tanque ha sido diseñado para utilizarse en sistemas de agua potable solamente y cualquier otro uso puede ser peligroso y anulará la garantía. El desempeño y la vida útil del producto pueden verse significativamente afectados si el agua tiene características agresivas. Se debe realizar una prueba que busque específicamente agua corrosiva, ácidos y otros contaminantes importantes que si estuvieran presentes en el agua, deben tratarse adecuadamente. La tubería del sistema debe estar conectada a tierra de manera correcta. Es posible que sea necesario colocar en el sistema una junta dieléctrica. No seguir estas instrucciones podría resultar en lesiones graves o la muerte o en daños a la propiedad.

ADVERTENCIA PROPOSICIÓN 65 DE CALIFORNIA

ADVERTENCIA! Este producto contiene un químico que en el estado de California se conoce como cancerígeno y causante de defectos de nacimiento u otros riesgos a la reproducción. (Instalador en California: la legislación de California exige que se dé esta notificación al consumidor/usuario final de este producto). Para más información, comuníquese con el fabricante en www.flexconind.com.

Estas instrucciones y advertencias están sujetas a actualizaciones periódicas en el sitio web de Flexcon www.flexconind.com y el consumidor debe revisarlas regularmente para obtener actualizaciones importantes sobre instrucciones y seguridad.



ANTES DE LA INSTALACIÓN

REGULACIÓN DE LA PRECARGA

Este tanque de agua es enviado desde la fábrica con una precarga de 38 psi. Se debe precargar a 2 psi por debajo de la regulación de corte del interruptor de presión, pero no debe superar los 80 psi. Todo ajuste a la precarga de fábrica debe realizarse antes de la instalación inicial del tanque y con 0 psi de presión en el sistema. ¡NO REGULE LA PRECARGA DEL TANQUE DE EXPANSIÓN SI EL SISTEMA ESTA BAJO PRESIÓN!

PARA AJUSTAR LA PRECARGA DEL TANQUE (antes de la instalación)

Quite la tapa protectora de la válvula de aire.

Verifique la presión precargada del tanque con un manómetro estándar para neumáticos.

Si fuera necesario agregar aire al tanque, use un inflador de bicicleta manual hasta alcanzar la presión de precarga adecuada.

Vuelva a colocar la tapa protectora en la válvula de aire.

PARA AJUSTAR LA PRECARGA DEL TANQUE (después de la instalación)

Desconecte el suministro eléctrico a la bomba del sistema.

Abra una llave para drenar el agua del tanque.

Agregue o libere aire según sea necesario (ver indicaciones anteriores).

ADVERTENCIA No regule la presión de aire si el tanque presenta signos visibles de corrosión. Si efectivamente presenta signos visibles de corrosión u oxidación, se deberá reemplazar el tanque de inmediato. No seguir estas instrucciones podría resultar en lesiones graves o la muerte o en daños a la propiedad.

INSTALACIÓN

UBICACIÓN

Seleccione una ubicación que tenga un buen medio de drenaje para la eventualidad de que se produzca una filtración de agua y así evitar daños a la propiedad. Este tanque de agua y las tuberías asociadas pueden presentar filtraciones con el transcurso del tiempo. El fabricante no se responsabiliza por daños causados por el agua que deriven de la instalación del tanque. La ubicación deberá estar lo más cerca posible al interruptor de presión del sistema a fin de reducir los efectos negativos de la pérdida de presión por fricción/elevación. Este tanque fue diseñado para montarse en una superficie nivelada y debe contar con un buen soporte alrededor de toda su base.

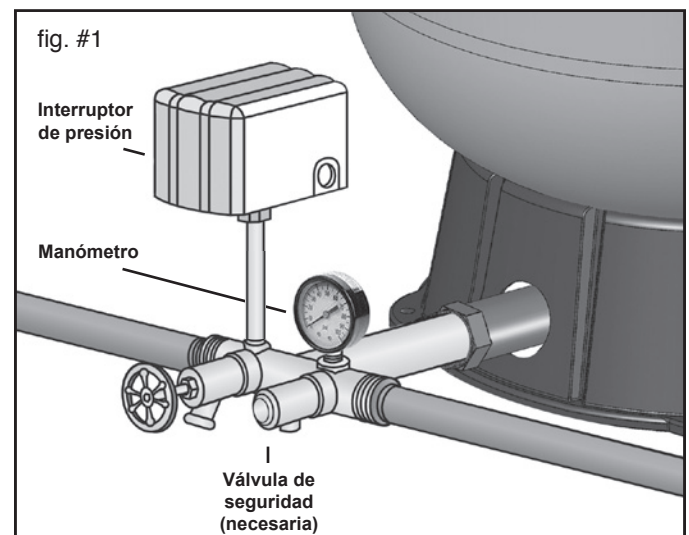
ADVERTENCIA Desconecte o cierre la fuente de energía eléctrica de la bomba del sistema. Cierre el suministro de agua al sistema y libere toda la presión de agua del sistema. No seguir estas instrucciones podría resultar en lesiones graves o la muerte o en daños a la propiedad.

Antes de instalar los accesorios (ver fig. 1), conecte el tanque con el tubo de admisión de agua de la bomba. Se deberá agregar un sellador de rosca (lubricante de tuberías) para garantizar que no haya filtraciones.

ADVERTENCIA En el sistema se deberá instalar una válvula de seguridad del tamaño adecuado y regulada a 100 psi.

Antes de suministrar agua al sistema, abra la llave para dejar escapar el aire que pudiera estar presente en las tuberías. Encienda el suministro eléctrico del suministro de agua; ello debería hacer que se encienda la bomba y que empiece a correr agua por la tubería. Cuando el agua esté fluyendo libremente desde la llave sin aire, cierre la llave. La bomba continuará funcionando y llenando el tanque. Inspeccione la instalación para verificar si hay filtraciones de agua, prestando atención a la conexión entre el tanque y la tubería del sistema.

INSTALACIÓN TÍPICA



MANTENIMIENTO

- Este tanque y todo el sistema deben ser controlados anualmente por un profesional calificado.
- Examine visualmente el tanque y su conexión a la tubería del sistema para verificar la presencia de signos de filtraciones de agua o corrosión en el exterior del tanque o en la conexión.

INSTALACIÓN DE TANQUES MÚLTIPLES

Todos los tanques deben tener la misma precarga para que el sistema funcione adecuadamente. Regule cada precarga siguiendo las instrucciones de la página 2. El interruptor o control de presión del sistema debe estar ubicado en el centro (ver diagrama) para que los tanques funcionen bien.



ESPECIFICACIONES / DIMENSIONES

MATERIALES DE CONSTRUCCIÓN

- *Superior e inferior cúpulas: Moldeado por inyección de polipropileno copolímero*
- *Shell: copolímero de polipropileno extruido*
- *Tejido exterior: Fibra de vidrio-herida, recubierto con resina epoxi*
- *Cisternas de agua: Top diafragma de goma de butilo 100%, cámara de agua inferior es de polipropileno copolímero*
- *Base: polipropileno copolímero*
- *Conexión: horario rígido 80 PVC*
- *La válvula de aire: válvulas de latón con junta tórica*
- *Garantía: cinco años limitada*

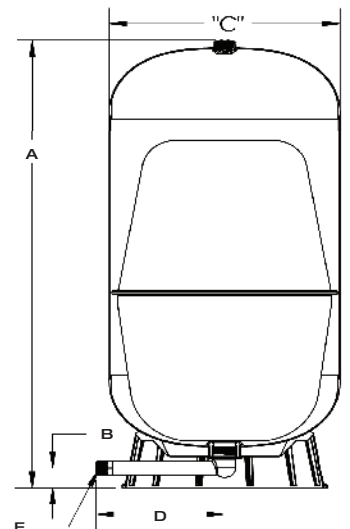
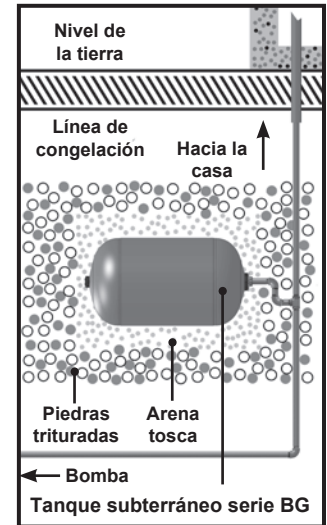
DIMENSIONES COMPUESTAS DE TANQUES

Volumen Total Del Tanque		A		B		C		D		E	Peso Total	
gal	liters	Altura		Piso A CL		De Diámetro		CL Al Final Apropiado		Conexión	lbs	kilos
		in	cm	in	cm	in	cm	in	cm			
15	56.8	25.6	64.0	1.75	4.4	16.5	41.9	9.4	23.9	1" NPT	19.0	8.6
22	83.3	34.1	84.1	1.75	4.4	16.5	41.9	9.4	23.9	1" NPT	24.0	10.9
35	132.5	48.9	121.7	1.75	4.4	16.5	41.9	9.4	23.9	1" NPT	33.5	15.2
38	143.8	29.75	74.7	2.25	5.7	24.2	61.5	11.9	30.2	1 1/4" NPT	38.0	15.9
50	189.3	43.3	109.0	2.25	5.7	21.4	54.4	11.9	30.2	1 1/4" NPT	47.0	21.3
65	246.0	51.3	129.3	2.25	5.7	21.4	54.4	11.9	30.2	1 1/4" NPT	58.0	26.3
82	310.4	64.7	163.3	2.25	5.7	21.4	54.4	11.9	30.2	1 1/4" NPT	69.5	31.5
90	340.7	57.0	143.8	2.25	5.7	24.2	61.5	13.4	34.0	1 1/4" NPT	77.0	34.9
119	450.4	72.1	182.1	2.25	5.7	24.2	61.5	13.4	34.0	1 1/4" NPT	99.5	45.1

Presión máxima de trabajo de 125 psig. Temperatura máxima de trabajo, interna y externa 120 grados F. El tanque de precarga 38 psig.

INSTALACIÓN SUBTERRÁNEA

La serie Flexcon BG incluye un acabado exterior especialmente formulado para enterrar el tanque directamente en el suelo por debajo de la línea de congelación. Regule la precarga del tanque antes de enterrarlo. Asegúrese de que el tanque esté enterrado por encima de la capa freática y debajo de la línea de congelación. El tanque debe estar rodeado de arena tosca sobre piedras trituradas. Para minimizar la tensión sobre el tanque y en la conexión en el caso de que la arena alrededor del tanque se mueva, recomendamos utilizar una conexión con junta articulada (ver diagrama). Asegúrese de rellenar el agujero completamente con arena y compactarla para evitar que el tanque se asiente. Coloque una marca permanente e identifique la ubicación del tanque.



GARANTÍA DE LOS PRODUCTOS DE FLEXCON INDUSTRIES LIMITED

PRODUCTOS CUBIERTOS: TANQUES DE AGUA EN COMPUESTO FABRICADOS Y DISTRIBUIDOS POR FLEXCON INDUSTRIES

Importante: Lea atentamente el manual de instrucciones para la instalación, el uso y el mantenimiento (el "manual") a fin de evitar serias lesiones físicas o daños a la propiedad y asegurarse de que utiliza este producto con seguridad y lo cuida adecuadamente.

Garantía: Esta garantía intransferible se otorga a todos los compradores de un producto nuevo. The warranty is non-transferable. Flexcon garantiza al comprador o al primer usuario del nuevo producto que al momento de su fabricación el producto se encontraba libre de defectos en los materiales o en la mano de obra y dicha garantía estará vigente por cinco (5) años a partir de la fecha de fabricación. Todo reclamo bajo la garantía deberá hacerse dentro de los cinco (5) años (salvo que en el manual se establezca otro plazo) calculados a partir de la fecha de fabricación. En el caso de incumplimiento de esta garantía y si se cursa una notificación en tiempo y forma a Flexcon, Flexcon, a su opción, procederá de una de las siguientes maneras: reparará el producto para corregir todo defecto en los materiales o en la mano de obra o bien, enviará y entregará un producto nuevo o usado o repuestos nuevos o usados. Flexcon no aceptará ningún reclamo por otros costos, incluso mano de obra, ni será responsable por ellos.

Exclusiones: Esta garantía no cubre ninguna falla o problema salvo que haya sido causado por un defecto en el material o la mano de obra. Asimismo, esta garantía no será de aplicación:

- si el producto no se instaló, operó, reparó o mantuvo correctamente según se describe en el manual provisto junto con el producto;
- a ninguna falla o mal funcionamiento que derive (i) del mal uso o abuso, (ii) de la manipulación, el envío (por otro que no sea Flexcon), el almacenamiento, el uso o la operación inadecuados o negligentes, o (iii) de daños al tanque causados por relámpagos, inundaciones, incendios, congelamiento u otro efecto ambiental;
- a los daños causados por cualquier modificación al producto no autorizada o cualquier intento de reparar piezas o filtraciones en el tanque;
- a ninguna falla o problema que resulte del uso del producto para cualquier propósito que no sea el especificado en el manual;
- si el producto es utilizado en cualquier lugar que no sea Estados Unidos, sus territorios o posesiones o Canadá;
- a los costos de mano de obra, gastos de envío, gastos de servicio, gastos de entrega, gastos administrativos o cualquier costo incurrido en la remoción o reinstalación de los productos;
- a cualquier reclamo efectuado a Flexcon o a un distribuidor o representante autorizado de Flexcon más de 30 días después del vencimiento del plazo de la garantía descrito anteriormente en este documento;
- a cualquier costo de reparación o reemplazo no autorizado con anterioridad por Flexcon.

Limitaciones a la garantía: Todas las garantías implícitas, incluidas las garantías de comerciabilidad y aptitud para un propósito en particular, quedan específicamente denegadas.

Limitaciones de recursos: Los recursos incluidos en esta garantía son los recursos exclusivos del comprador o primer usuario. Bajo ninguna circunstancia Flexcon será responsable por un monto superior al precio pagado por el producto y los recursos del comprador/primer usuario no superarán dicho precio. En ningún caso Flexcon será responsable por daños especiales, indirectos, accesorios y emergentes, ya sea que resulten de la falta de entrega o del uso, mal uso o incapacidad de usar el producto o de defectos en el producto o de la propia negligencia de Flexcon u otro ilícito civil extracontractual. Estas exclusiones serán de aplicación independientemente de si la indemnización por daños se reclama con motivo de incumplimiento de garantía, incumplimiento de contrato, negligencia, responsabilidad objetiva, extracontractual o bajo cualquier otra teoría jurídica. Entre los daños excluidos se encuentran, a modo ilustrativo solamente, inconveniente, pérdida o daño a la propiedad, moho, lucro cesante, pérdida de ahorros o ganancias, pérdida del uso de los productos o cualquier equipo asociado, de las instalaciones, edificios o servicios, tiempo improductivo y los reclamos de terceros incluyendo clientes.

Cómo debe proceder si tiene un problema cubierto por esta garantía: Debe notificar al distribuidor o representante de Flexcon que le vendió el producto dentro de los 30 días del evento que dio lugar al reclamo bajo la garantía. Todo servicio cubierto bajo la garantía debe estar autorizado por el distribuidor o representante de Flexcon que le vendió el producto. Si no recibe una respuesta con prontitud, llame directamente a Flexcon al 781.986.2424. El distribuidor/representante autorizado de Flexcon deberá presentar la notificación de un reclamo bajo la garantía dentro de los 60 días de ocurrido el evento que da lugar al reclamo a la siguiente dirección:

Flexcon Industries, Warranty Claim Dept., P.O. Box 782, Randolph, MA 02368

Antes de que Flexcon determine ofrecerle un repuesto o producto de reemplazo, es posible que como precondition para dicha determinación le exija a la persona que efectúa el reclamo que envíe el producto, con gastos de correo pagados, al distribuidor autorizado de Flexcon o a Flexcon y que presente el recibo de compra original como comprobante de la compra.

Garantía del producto de reemplazo: En caso de reemplazo de un producto o de un componente, Flexcon se reserva el derecho de realizar cambios en el diseño, la construcción o los materiales de los componentes o productos sustitutos, y estos estarán sujetos a todos los términos y limitaciones de esta garantía, con excepción de que los plazos de la garantía aplicables serán menores ya que para su cálculo se tendrá en cuenta el tiempo durante el cual el reclamante fue propietario del producto antes de presentar la notificación o el reclamo bajo la garantía.

Registro del propietario. Guardar para uso futuro.

Número de serie (ver etiqueta de datos del tanque en su parte inferior): _____

Modelo (ver etiqueta de datos del tanque en su parte inferior): _____

Fecha de instalación: _____

Nombre del instalador: _____

Número de teléfono: _____

Guardar copia de cheque cancelado y de recibo de instalación.



INSTALLATION, MISES EN GARDE ET INSTRUCTIONS D'UTILISATION

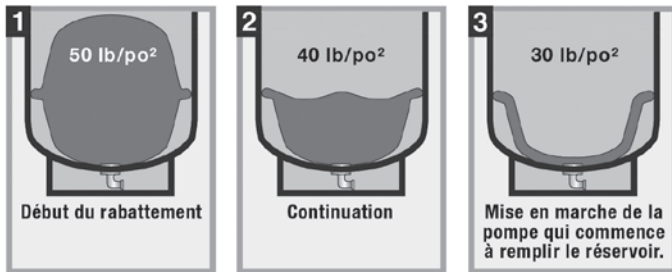
RÉSERVOIRS DE PUIXS EN COMPOSÉE FLEXCON

UTILISATION

Ce réservoir de puits a été conçu pour stocker et fournir de l'eau sous pression entre les cycles de pompage au sein d'un réseau de distribution d'eau domestique. Il est doté d'un système de diaphragme à action contrôlée (CAD2) breveté qui contient toute l'eau du système dans une chambre sécuritaire approuvée par la NSF. Le système CAD2 fait en sorte que l'eau ne touche jamais aux parois internes du réservoir, ce qui réduit considérablement la condensation externe.

FONCTIONNEMENT

Sans réservoir de stockage, la pompe d'un réseau de distribution d'eau domestique se mettrait en marche chaque fois qu'il y a une demande d'eau. Ce cycle fréquent et potentiellement court raccourcit la durée de vie utile de la pompe. Les réservoirs de puits Flexcon sont conçus pour stocker l'eau lorsque la pompe fonctionne, pour ensuite retourner l'eau sous pression au système lorsque la pompe est arrêtée. Un réservoir de puits aux dimensions appropriées stockera au moins un gallon d'eau pour chaque gallon par minute (GPM) de débit de pompe, ce qui permet moins de démarrages de pompe et des temps de fonctionnement accrus, donc de maximiser la vie utile de la pompe.



IL S'AGIT DU SYMBOLE D'ALERTE À LA SÉCURITÉ POUR VOUS AVERTIR DE DANGERS POTENTIELS DE BLESSURES. VEUILLEZ OBÉIR AUX MESSAGES DE SÉCURITÉ QUI SUIVENT CE SYMBOLE POUR ÉVITER LES BLESSURES GRAVES ET LA MORT.

MISE EN GARDE

INDIQUE UNE SITUATION POTENTIELLEMENT DANGEREUSE QUI, SI ELLE N'EST PAS ÉVITÉE, PEUT ENTRAÎNER DES BLESSURES GRAVES OU LA MORT.

MISE EN GARDE

Ce produit doit être installé par un **professionnel qualifié** en respectant les codes de plomberie et de l'électricité locaux et nationaux. Veuillez lire et comprendre les instructions comprises aux présentes et celles du site Web de Flexcon, qui sont actualisées régulièrement. Ce produit doit être inspecté tous les ans par un professionnel qualifié pour détecter des signes de corrosion ou de fuite, ainsi que remplacé immédiatement en présence de tels signes. Le non-respect de ces instructions peut entraîner des blessures graves ou la mort, ou encore des dommages matériels et ainsi annuler la garantie du produit.

MISE EN GARDE

DANGER D'EXPLOSION

Ce réservoir de puits est conçu pour le stockage de l'eau à une pression maximale de 125 lb/po² et une température maximale de 120° F. Il faut installer une soupape de retour de dimensions appropriées réglée à un maximum de 100 lb/po² dans le système. Ce réservoir est expédié avec une précharge de 38 lb/po² et il faut faire tout réglage à la précharge avant l'installation et à température ambiante. Il ne faut pas ajuster la précharge de ce réservoir si le produit est corrodé ou endommagé, ou s'il présente des signes de diminution de l'intégrité. La précharge maximale admissible dans ce réservoir d'expansion est de 80 lb/po². Le non-respect de ces instructions est **DANGEREUX** et peut entraîner des blessures graves ou la mort, ou encore des dommages matériels.

MISE EN GARDE

Ce réservoir de puits et les tuyaux connexes peuvent fuir avec le temps. Il faut installer ce réservoir dans un endroit où la fuite d'eau ne causera pas de dommages matériels et doté de moyens de drainage adéquats. Il ne faut pas installer ce réservoir dans un endroit enclin au gel. Il faut installer ce réservoir à la verticale. Le fabricant de ce produit n'est pas responsable des dégâts d'eau associés à l'installation ou la défaillance du produit. Le non-respect de ces instructions peut entraîner des blessures ou des dommages matériels.

MISE EN GARDE

Ce réservoir est conçu pour être utilisé uniquement avec des systèmes d'eau potable et toute autre utilisation peut s'avérer dangereuse et annuler la garantie. Des conditions d'eau agressive peuvent avoir de fortes répercussions sur le rendement et la durée de vie de ce produit. Il faut analyser l'eau en cherchant expressément de l'eau corrosive, des acides et autres contaminants de l'eau pertinents qu'il faut, en cas de présence, traiter de manière appropriée. Les tuyaux du système doivent être mis à la terre correctement. Le système pourrait nécessiter un union diélectrique. Le non-respect de ces instructions peut entraîner des blessures graves ou la mort, ou encore des dommages matériels.

MISE EN GARDE

MISE EN GARDE DE LA PROPOSITION 65 DE LA CALIFORNIE!

Ce produit contient un produit chimique qui, selon l'État de la Californie, cause le cancer, des handicaps congénitaux ou autres anomalies de la reproduction. (Installateur californien - les lois de la Californie stipulent que cet avis doit être remis au client ou à l'utilisateur final du produit.) Pour de plus amples renseignements, veuillez communiquer avec le fabricant au www.flexconind.com.

Ces instructions et mises en garde sont actualisées de façon périodique sur le site Web de Flexcon www.flexconind.com et le client doit les consulter régulièrement pour voir les mises à jour importantes sur le plan des directives et de la sécurité.



AVANT L'INSTALLATION

RÉGLAGE DE LA PRÉCHARGE

Ce réservoir de puits est expédié de l'usine avec une précharge de 38 lb/po². Le réservoir de puits doit être préchargé à 2 lb/po² sous le réglage de réalimentation du manostat, mais sans dépasser 80 lb/po². Il faut effectuer les réglages à la précharge de l'usine avant l'installation initiale du réservoir et avec une pression de 0 lb/po² dans le système. **NE PAS RÉGLER LA PRÉCHARGE DU RÉSERVOIR D'EXPANSION PENDANT QUE LE SYSTÈME EST SOUS PRESSION!**

POUR AJUSTER LA PRÉCHARGE DU RÉSERVOIR (avant l'installation)

Retirer le capuchon protecteur du reniflard.

Vérifier la pression de précharge du réservoir à l'aide d'un manomètre pour pneus.

Au besoin, ajouter de l'air au réservoir à l'aide d'une pompe à vélo jusqu'à l'atteinte de la pression de précharge adéquate.

Remettre en place le capuchon protecteur du reniflard.

POUR AJUSTER LA PRÉCHARGE DU RÉSERVOIR (après l'installation)

Couper l'alimentation en courant à la pompe du système.

Vider le réservoir de son eau en ouvrant un robinet.

Ajouter ou libérer de l'air au besoin (voir ci-dessus).

MISE EN GARDE Ne pas régler la pression d'air du réservoir s'il y a des signes visibles de corrosion sur le réservoir. Si ce réservoir de puits montre des signes visibles de corrosion ou de rouille, il faut le remplacer immédiatement. Le non-respect de ces instructions peut entraîner des blessures graves ou la mort, ou encore des dommages matériels.

INSTALLATION

EMPLACEMENT

Choisir un emplacement où une fuite d'eau ne provoquera pas de dommages matériels et où il y aura des moyens de drainage d'eau adéquats. Ce réservoir de puits et les tuyaux connexes peuvent fuir avec le temps. Le fabricant n'est pas responsable des dégâts d'eau pouvant survenir en lien avec l'installation du réservoir de puits. Le réservoir doit se trouver le plus près possible du manostat du système afin de réduire les effets négatifs d'une baisse de pression due à la friction ou à l'élévation. Ce réservoir est conçu pour être monté sur une surface de niveau et il faut le supporter adéquatement autour de la base.

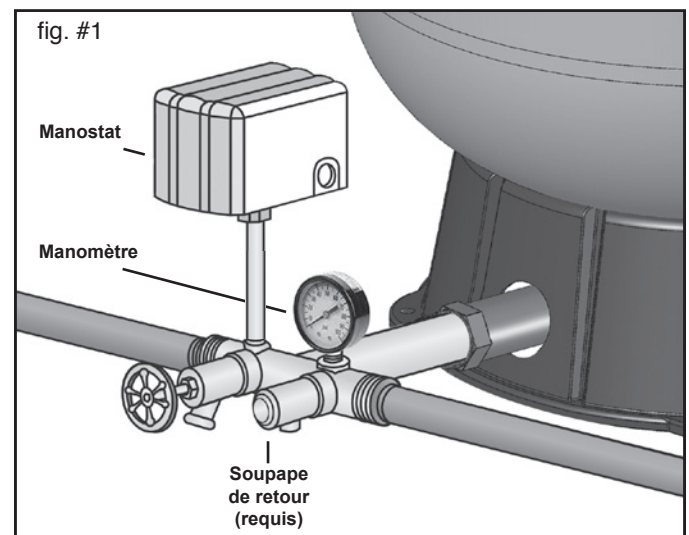
MISE EN GARDE Couper la source d'alimentation électrique à la pompe du système. Couper l'alimentation en eau au système et enlever toute la pression d'eau du système. Le non-respect de ces instructions peut entraîner des blessures graves ou la mort, ou encore des dommages matériels.

Installer le réservoir de puits dans la conduite d'eau entrante de la pompe et avant tout accessoire (voir Fig. 1). Il faut ajouter un produit d'étanchéité pour joints filetés (pâte lubrifiante) pour assurer une installation étanche.

MISE EN GARDE Il faut installer une soupape de retour aux dimensions appropriées réglée au maximum à 100 lb/po² dans le système.

Avant d'alimenter le système en eau, ouvrir un robinet d'eau pour libérer l'air des tuyaux du système. Ouvrir l'alimentation en courant de l'alimentation en eau et la pompe devrait démarrer et remplir les tuyaux du système. Lorsque l'eau circule librement du robinet sans air, fermer le robinet. La pompe continuera de fonctionner et remplir le réservoir de puits. Inspecter l'installation pour déceler des fuites d'eau en portant une attention particulière au raccord entre le réservoir de puits et les tuyaux du système.

INSTALLATION ORDINAIRE

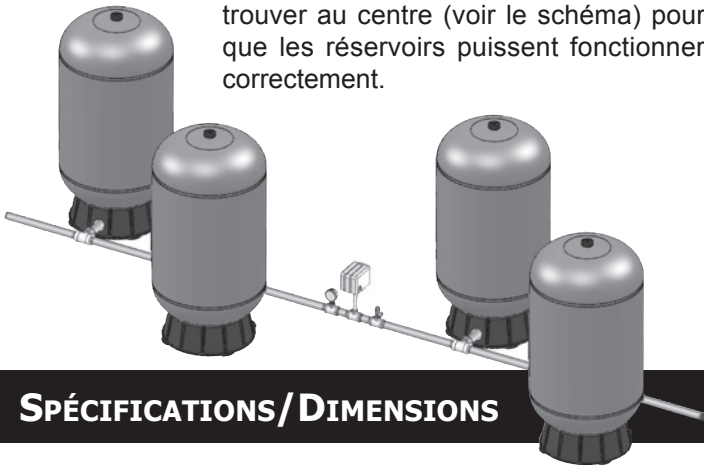


ENTRETIEN

Faire vérifier ce réservoir de puits et le système au complet par un professionnel qualifié tous les ans. Examiner visuellement le réservoir et son raccord aux tuyaux du système pour déceler des signes de fuites d'eau ou de corrosion à l'extérieur du réservoir ou du raccord.

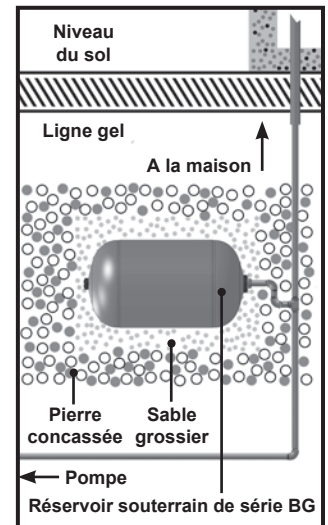
INSTALLATION DE PLUSIEURS RÉSERVOIRS

Tous les réservoirs doivent avoir la même précharge pour que le système puisse fonctionner correctement. Ajuster la précharge de chaque réservoir selon les indications de la page 2. Le manostat ou la commande du système doit se trouver au centre (voir le schéma) pour que les réservoirs puissent fonctionner correctement.



INSTALLATION SOUTERRAINE

La série BG de Flexcon a un revêtement extérieur spécialement formulé permettant de l'enfouir directement dans le sol sous la profondeur de gel. Régler la précharge du réservoir avant de l'enfouir. S'assurer que le réservoir est enfoui au-dessus de la surface libre et sous la profondeur de gel. Il faut incorporer le réservoir dans du sable grossier par-dessus la pierre concassée. Pour réduire au minimum le stress sur le réservoir et le raccord en cas de déplacement du sable entourant le réservoir, nous recommandons l'utilisation d'un raccord articulé (voir le schéma). S'assurer de remblayer complètement le trou de sable et de le condenser pour éviter le tassement du réservoir. Marquer et identifier de façon permanente l'emplacement du réservoir.



SPÉCIFICATIONS/DIMENSIONS

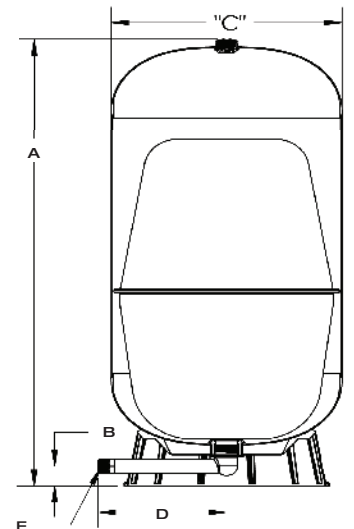
MATÉRIAUX DE CONSTRUCTION

- *Dômes supérieur et inférieur : Polypropylène copolymère moulé par injection*
- *Enveloppe : Polypropylène copolymère extrudé*
- *Enveloppe extérieure : Enveloppée de fibre de verre, enduite de résine époxyde*
- *Chambres d'eau : Membrane supérieure composée à 100 % de caoutchouc butyle, chambre d'eau inférieure en polypropylène copolymère*
- *Base : Polypropylène copolymère*
- *Garantie : limitée écrite de 5 ans*

DIMENSIONS DES RESERVOIRS COMPOSITES

Volume total du réservoir		A Hauteur		B au CL		C Diamètre		D Embout de raccord		E Connexion	Poids total	
gal	liters	po	cm	po	cm	po	cm	po	cm		lbs	kilos
15	56.8	25.6	64.0	1.75	4.4	16.5	41.9	9.4	23.9	1" NPT	19.0	8.6
22	83.3	34.1	84.1	1.75	4.4	16.5	41.9	9.4	23.9	1" NPT	24.0	10.9
35	132.5	48.9	121.7	1.75	4.4	16.5	41.9	9.4	23.9	1" NPT	33.5	15.2
38	143.8	29.75	74.7	2.25	5.7	24.2	61.5	11.9	30.2	1 1/4" NPT	38.0	15.9
50	189.3	43.3	109.0	2.25	5.7	21.4	54.4	11.9	30.2	1 1/4" NPT	47.0	21.3
65	246.0	51.3	129.3	2.25	5.7	21.4	54.4	11.9	30.2	1 1/4" NPT	58.0	26.3
82	310.4	64.7	163.3	2.25	5.7	21.4	54.4	11.9	30.2	1 1/4" NPT	69.5	31.5
90	340.7	57.0	143.8	2.25	5.7	24.2	61.5	13.4	34.0	1 1/4" NPT	77.0	34.9
119	450.4	72.1	182.1	2.25	5.7	24.2	61.5	13.4	34.0	1 1/4" NPT	99.5	45.1

Pression maximale de service : 125 psig. Température maximale de service intérieure et extérieure : 120° F/49° C. Précharge du réservoir : 38 psig.



GARANTIE LIMITÉE DE PRODUIT DE FLEXCON INDUSTRIES

PRODUITS COUVERTS : RÉSERVOIRS DE Puits COMPOSITES FABRIQUÉS ET DISTRIBUÉS PAR FLEXCON INDUSTRIES

Important : Veuillez lire attentivement le mode d'emploi pour l'installation, l'utilisation et l'entretien (« mode d'emploi ») de façon à éviter les blessures ou dommages matériels graves et assurer l'utilisation sécuritaire ainsi que l'entretien adéquat de ce produit.

Garantie - La garantie protège tous les acheteurs du nouveau produit et est incessible. Flexcon déclare auprès de l'acheteur ou du premier utilisateur qu'au moment de la fabrication, le produit est exempt de défaut sur le plan des matériaux et de la fabrication pendant les cinq (5) années qui suivent la date de fabrication. Il faut faire toute réclamation au titre de la garantie dans les cinq (5) ans (à moins qu'un autre délai soit établi dans le mode d'emploi), période mesurée à partir de la date de fabrication.

En cas de non-respect de la garantie susmentionnée et sur avis approprié et opportun à Flexcon, Flexcon pourra, comme il l'entend, effectuer les réparations pour corriger tout défaut de matériau ou de fabrication, ou encore fournir et expédier des pièces ou produits de remplacement neufs ou usagés. Flexcon n'acceptera pas de réclamation pour les coûts engagés, dont la main-d'œuvre, et il n'en sera pas responsable.

Exclusions - La présente garantie ne couvre pas les défaillances ou problèmes, à moins d'avoir été causés par un défaut de matériau ou de fabrication. De plus, la garantie n'est pas valide dans les cas suivants :

- Le produit n'est pas bien installé, utilisé, réparé ou entretenu comme le décrit le mode d'emploi fourni avec le produit.
- Toute défaillance découlant (i) d'un abus ou d'une mauvaise utilisation, (ii) d'une manipulation/expédition erronée ou négligente (par une autre entreprise/personne que Flexcon), de l'entreposage, de l'utilisation ou du fonctionnement, (iii) des dommages au réservoir causés par la foudre, une inondation, un incendie, le gel ou autre condition environnementale.
- Dommages causés par une modification non autorisée au produit ou toute tentative de réparation des fuites ou pièces du réservoir.
- Toute défaillance ou tout problème découlant de l'utilisation du produit aux fins autres que celles précisées dans le mode d'emploi.
- Utilisation du produit ailleurs qu'aux États-Unis, ses territoires ou possessions, ou qu'au Canada.
- Coûts de main-d'œuvre, frais d'expédition, frais de gestion, frais de livraison, frais administratifs ou autres coûts engagés pour le retrait ou la réinstallation des produits.
- Réclamations soumises à Flexcon ou à un distributeur ou concessionnaire agréé de Flexcon plus de trente (30) jours après l'expiration de la période de garantie applicable décrite dans la garantie.
- Coûts de réparation ou de remplacement non autorisés au préalable par Flexcon.

Limitations de la garantie - Les garanties implicites, y compris les garanties implicites de qualité marchande et de convenance précise, sont expressément rejetées.

Limitation de recours - Les recours que contient la présente garantie constituent les recours exclusifs de l'acheteur ou du premier utilisateur. Flexcon ne sera en aucun cas responsable d'un montant plus élevé que le prix payé pour le produit, qui se veut également la limite des recours de l'acheteur ou du premier utilisateur. Flexcon ne sera en aucun cas responsable des dommages particuliers, indirects, accessoires ou consécutifs, du fait de la non-livraison ou de l'utilisation, de l'utilisation à mauvais escient ou de l'incapacité d'utilisation du produit, ou du fait de défaut avec le produit ou encore de la négligence ou autre acte délictuel de Flexcon. Ces exclusions s'appliquent, que ces dommages soient recherchés pour rupture de garantie, rupture de contrat, négligence, responsabilité civile délictuelle ou en vertu de toute autre théorie juridique. Les dommages exclus comprennent mais non de façon limitative les dérangements, les pertes ou dommages aux biens, la moisissure, le manque à gagner, la perte d'économies ou de recettes, la perte d'utilisation des produits ou de tout matériel connexe dont les bâtiments ou les services, les temps d'arrêt et les réclamations de tierces parties, y compris les clients.

Que faire en cas de problème couvert par la présente garantie - Vous devez aviser le distributeur ou concessionnaire agréé de Flexcon qui vous a vendu le produit dans un délai de trente (30) jours suivant l'événement ayant mené à la réclamation au titre de la garantie. Le distributeur ou concessionnaire agréé de Flexcon qui vous a vendu le produit doit autoriser tout service couvert par la garantie. Si vous ne recevez pas de réponse rapide, veuillez appeler Flexcon directement au 781-986-2424. Le distributeur ou concessionnaire agréé de Flexcon doit fournir un avis concernant la réclamation au titre de la garantie dans un délai de soixante (60) jours suivant l'événement ayant mené à la réclamation à Flexcon à l'adresse suivante :

Flexcon Industries, Warranty Claim Dept., P.O. Box 782, Randolph, MA 02368

Avant que Flexcon ne détermine de fournir un produit ou une pièce de remplacement, il peut, comme condition préalable à une telle détermination, exiger que le demandeur de la réclamation au titre de la garantie expédie le produit, port payé, à un distributeur agréé de Flexcon, ou à Flexcon, et fournisse une preuve d'achat attestée par la facture originale.

Garantie du produit de remplacement - En cas de remplacement d'un produit ou de toute pièce nécessaire, Flexcon se réserve le droit d'apporter des changements sur le plan de la conception, de la construction ou des matériaux aux composants ou produits de remplacement, qui seront assujettis à toutes les modalités et limitations de la présente garantie, exception faite du fait que les périodes de garantie applicables seront réduites de la période à laquelle le demandeur de la réclamation au titre de la garantie a été propriétaire du produit avant de soumettre l'avis ou la réclamation au titre de la garantie.

À conserver au dossier des propriétaires pour une utilisation ultérieure

Numéro de série (voir l'étiquette de données dans le bas du réservoir) : _____

Modèle (voir l'étiquette de données dans le bas du réservoir) : _____

Date de l'installation : _____

Nom de l'installateur : _____

Numéro de téléphone : _____

Veuillez conserver une copie du chèque annulé et de la facture d'installation

