


Count	Description								
1	<p data-bbox="225 340 470 362"><b>MQ3-45 A-B-A-BVBP</b></p> <div data-bbox="260 432 576 663">  </div> <p data-bbox="619 683 1070 705" style="text-align: center;">Product photo could vary from the actual product</p> <p data-bbox="225 714 491 739">Product No.: <a href="#">96860195</a></p> <p data-bbox="225 772 416 797"><b>Complete system</b></p> <p data-bbox="225 801 1417 853">The MQ is a complete, all-in-one unit, incorporating pump, motor, diaphragm tank, pressure and flow sensor, controller and non-return valve.</p> <p data-bbox="225 860 1425 911">The controller ensures that the pump starts automatically when water is consumed and stops automatically when consumption ceases. In addition, the controller protects the pump in case of faults.</p> <p data-bbox="225 947 344 972"><b>Installation</b></p> <p data-bbox="225 976 1433 1028">Due to its compact design, the pump does not take up much space and is easy to install. No space around the pump is required.</p> <p data-bbox="225 1064 411 1088"><b>Simple operation</b></p> <p data-bbox="225 1093 1453 1144">The pump features a user-friendly control panel with ON/OFF button and indicator lights to show the operational state of the pump.</p> <p data-bbox="225 1180 427 1205"><b>Self-priming pump</b></p> <p data-bbox="225 1209 1445 1312">As it is self-priming, the MQ is able to pump water from a level below the pump. Provided it is filled with water, the pump is able to lift water from a depth of 26 ft in less than 5 minutes. This facilitates installation and start-up of the pump and provides more reliable water supply in installations where there is a risk of dry running or leakages in suction hose or pipes.</p> <p data-bbox="225 1348 523 1373"><b>Built-in protective functions</b></p> <p data-bbox="225 1377 1417 1429">If exposed to dry running or excessive temperature, for example in case of seizure or overload, the pump will stop automatically, thus preventing a motor burnout.</p> <p data-bbox="225 1464 400 1489"><b>Automatic reset</b></p> <p data-bbox="225 1494 1425 1545">The pump features an automatic reset function. In case of dry running or similar alarm, the pump will stop. Restarting will be attempted every 30 minutes for a period of 24 hours. The reset function can be deactivated.</p> <p data-bbox="225 1581 395 1606"><b>Low noise level</b></p> <p data-bbox="225 1610 1449 1662">Thanks to its hydraulic design and internal cooling, the pump is extremely low-noise, which makes it suitable for indoor and outdoor use.</p> <p data-bbox="225 1697 379 1722"><b>Pressure tank</b></p> <p data-bbox="225 1727 1374 1778">The built-in pressure tank reduces the number of starts and stops in case of leakages in the pipe system, causing less wear on the pump.</p> <p data-bbox="225 1814 368 1839"><b>Maintenance</b></p> <p data-bbox="225 1843 671 1868">No maintenance of the pump is required.</p> <p data-bbox="225 1904 311 1928"><b>Liquid:</b></p> <table data-bbox="225 1933 703 2063"> <tr> <td>Pumped liquid:</td> <td>Water</td> </tr> <tr> <td>Liquid temperature range:</td> <td>32 .. 95 °F</td> </tr> <tr> <td>Selected liquid temperature:</td> <td>68 °F</td> </tr> <tr> <td>Density:</td> <td>62.29 lb/ft<sup>3</sup></td> </tr> </table>	Pumped liquid:	Water	Liquid temperature range:	32 .. 95 °F	Selected liquid temperature:	68 °F	Density:	62.29 lb/ft <sup>3</sup>
Pumped liquid:	Water								
Liquid temperature range:	32 .. 95 °F								
Selected liquid temperature:	68 °F								
Density:	62.29 lb/ft <sup>3</sup>								



Company name:

Created by:

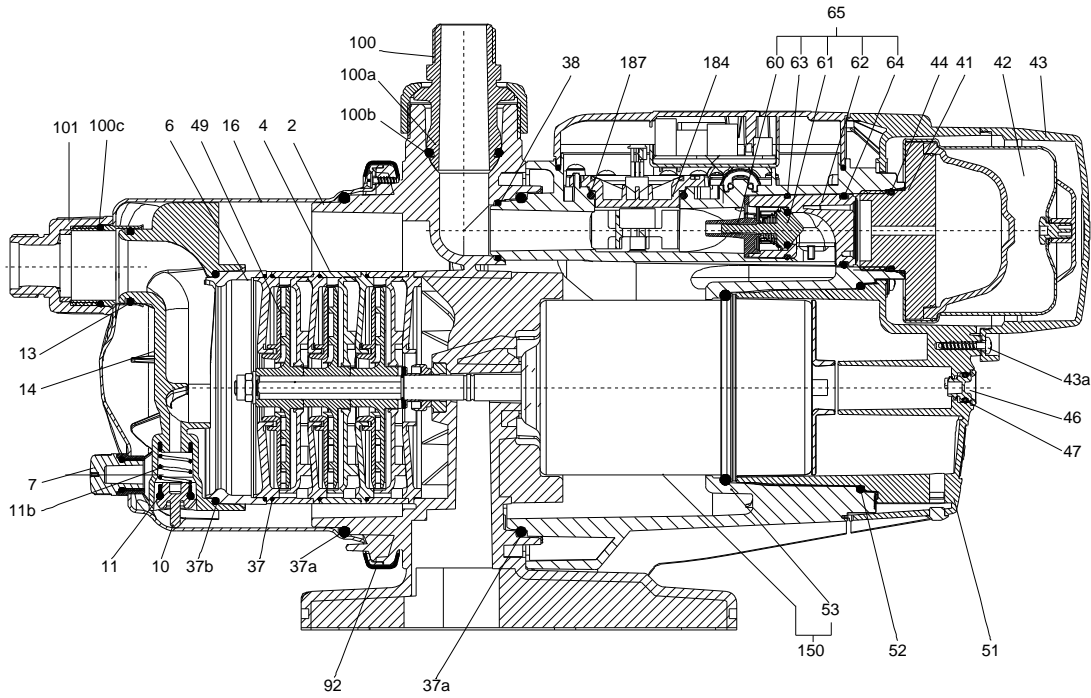
Phone:

Date:

3/10/2020

Count	Description
	<p><b>Technical:</b></p> <p>Rated flow: 13.2 US gpm Rated head: 75.46 ft Primary shaft seal: BVBP Approvals on nameplate: CSACUS Curve tolerance: ISO9906:2012 3B</p> <p><b>Materials:</b></p> <p>Pump housing: POM + 25% glass fiber Impeller: PPO + 20% glass fiber-PTFE</p> <p><b>Installation:</b></p> <p>Range of ambient temperature: 32 .. 113 °F Maximum operating pressure: 108.78 psi Pipe connection: NPT1</p> <p><b>Electrical data:</b></p> <p>Power input - P1: 1150 W Main frequency: 60 Hz Rated voltage: 1 x 110-120 V Rated current: 10 A Enclosure class (IEC 34-5): IP54 Insulation class (IEC 85): B Length of cable: 6.56 ft Type of cable plug: NEMA</p> <p><b>Others:</b></p> <p>Net weight: 28.7 lb Gross weight: 34 lb Shipping volume: 1.94 ft<sup>3</sup> Country of origin: IT Custom tariff no.: 8413.70.90.20</p>

( TM064501 for MQ )



**Service parts MQ3-45, Prod number 96860195**  
**Produced After 0904 (production year and week number)**

Position	Description	Annotation	Classification data	Part No.	Count	Unit
-	Discharge port			96450695	1	pcs
100	Discharge port				10	
-	Kit, clamp			96450697	1	pcs
92	Clamp				1	
93a	Washer				1	
93	Screw		Length: 30 Thread: M6		1	
94	Nut				1	
-	Kit, electronic parts			96525932	1	pcs
164	Terminal box cover				1	
181a	Pan head tapping screw				2	
181	Electronic unit				1	
-	Kit, end cover			96488398	1	pcs
43	Cover				1	
44	O-ring		Diameter: 36,0 Material type: NBR Thickness: 3,00		1	
47	O-ring				1	
51	End cover				1	
52	O-ring		Diameter: 98,02 Material type: NBR Thickness: 3,53		1	
152c	Disc spring				4	
152b	Pan head screw				4	
152a	Disc spring				6	
152	Screw				6	
-	Kit, fittings			96634763	1	pcs
7	Plug				2	
11a	O-ring		Diameter: 13,10 Material type: NBR Thickness: 2,62		2	
100c	O-ring		Diameter: 36,0 Material type: NBR Thickness: 3,00		1	
100b	O-ring		Diameter: 30,00 Material type: NBR Thickness: 4,00		1	
100a	Discharge port				1	
100	Union nut				1	
101	Non-return valve				1	
-	Kit, flow sensor			96450698	1	pcs
166a	Screw				6	
184	Cover w/sensor				1	
185a	Washer		Inner diameter: 3 Outer diameter: 8 Thickness: 0,2		1	
185	Turbine wheel				1	
186	Turbine shaft				1	

Position	Description	Annotation	Classification data	Part No.	Count	Unit
187	O-ring		Diameter: 49,21 Material type: NBR Thickness: 3,53		1	
-	Kit, motor			96488397	1	pcs
40a	O-ring retainer				1	
40	O-ring		Diameter: 18,72 Material type: NBR Thickness: 2,62		2	
53	O-ring		Diameter: 88,27 Material type: NBR Thickness: 2,34		1	
66.a	Disc spring				1	
66	Washer		Inner diameter: 8,5 Outer diameter: 17,0		1	
67	Nut		Thread: M8		1	
149	Disk				1	
150	Motor unit		Winding resistance, main (ohm, 68°F): 1,35 - 1,65 Winding resistance, auxillary (ohm, 68°F): 5,49 - 6,71		1	
160	Clip				1	
161	Capacitor				1	
-	Kit, O-rings			96526628	1	pcs
7	Plug				2	
10	Valve seat				1	
11b	Flat spring				1	
11a	O-ring		Diameter: 13,10 Material type: NBR Thickness: 2,62		2	
11	O-ring		Diameter: 12,29 Material type: NBR Thickness: 3,53		1	
13	O-ring		Diameter: 31,34 Material type: NBR Thickness: 3,53		1	
37b	O-ring		Diameter: 110,7 Material type: NBR Thickness: 3,53		1	
37a	O-ring		Diameter: 164,46 Material type: NBR Thickness: 5,34		2	
37	O-ring		Diameter: 105,0 Material type: NBR Thickness: 1,5		4	
38	O-ring		Diameter: 25 Thickness: 3		1	
40	O-ring		Diameter: 18,72 Material type: NBR Thickness: 2,62		2	
44	O-ring		Diameter: 36,0 Material type: NBR Thickness: 3,00		1	
52	O-ring		Diameter: 98,02 Material type: NBR Thickness: 3,53		1	
53	O-ring		Diameter: 88,27 Material type: NBR Thickness: 2,34		1	

Position	Description	Annotation	Classification data	Part No.	Count	Unit
61a	O-ring		Diameter: 9.92		1	
			Thickness: 2.62			
63	O-ring		Diameter: 28.24		1	
			Thickness: 3.53			
64	O-ring		Diameter: 31,34		1	
			Material type: NBR			
			Thickness: 3,53			
100b	O-ring		Diameter: 30,00		1	
			Material type: NBR			
			Thickness: 4,00			
165	O-ring		Diameter: 158,42		1	
			Material type: NBR			
			Thickness: 2,62			
187	O-ring		Diameter: 49,21		1	
			Material type: NBR			
			Thickness: 3,53			
-	Kit, plug			96457923	1	pcs
7	Plug				2	
11a	O-ring		Diameter: 13,10		2	
			Material type: NBR			
			Thickness: 2,62			
-	Kit, Pressure switch			98652420	1	pcs
174b	O-ring		Diameter: 9.92		1	
			Thickness: 2.62			
174a	Pressure switch				1	
175	Screw				3	
-	Kit, shaft seal			96450696	1	pcs
37b	O-ring		Diameter: 110,7		1	
			Material type: NBR			
			Thickness: 3,53			
37a	O-ring		Diameter: 164,46		1	
			Material type: NBR			
			Thickness: 5,34			
37	O-ring		Diameter: 105,0		5	
			Material type: NBR			
			Thickness: 1,5			
66a	Disc spring				1	
66	Washer		Inner diameter: 8,5		1	
			Outer diameter: 17,0			
67	Nut		Thread: M8		1	
102	Washer				1	
103	Seal ring, stationary				1	
104	Seal ring, rotating				1	
-	Kit, terminal box cover			96488399	1	pcs
164	Terminal box cover				1	
165	O-ring		Diameter: 158,42		1	
			Material type: NBR			
			Thickness: 2,62			
166	Screw		Length: 35		4	
			Thread: 3,5			
-	Non-return valve			96526663	1	pcs
65	Non-return valve				1	
-	Spare, capacitor			97523217	1	pcs
161	Capacitor				1	



Company name:

Created by:

Phone:

Date:

3/10/2020

Position	Description	Annotation	Classification data	Part No.	Count	Unit
-	Spare, motor housing			98664813	1	pcs
180	Stator housing				1	
-	Spare, Motor stool			96590739	1	pcs
2	Motor stool				1	
-	Spare, Pump cover			96590745	1	pcs
16	Pump sleeve				1	
-	Tank			98893507	1	pcs
	Tank				1	
	Gasket				0	
42	Tank				1	
-	Union nut			98455359	1	pcs
100	Union nut				10	
6	Bulk, Inlet part (5 pcs)			99505978	1	pcs
6	Inlet part			99505976	1	pcs
11b	Bulk, Flat spring (10 pcs)			98099529	1	pcs