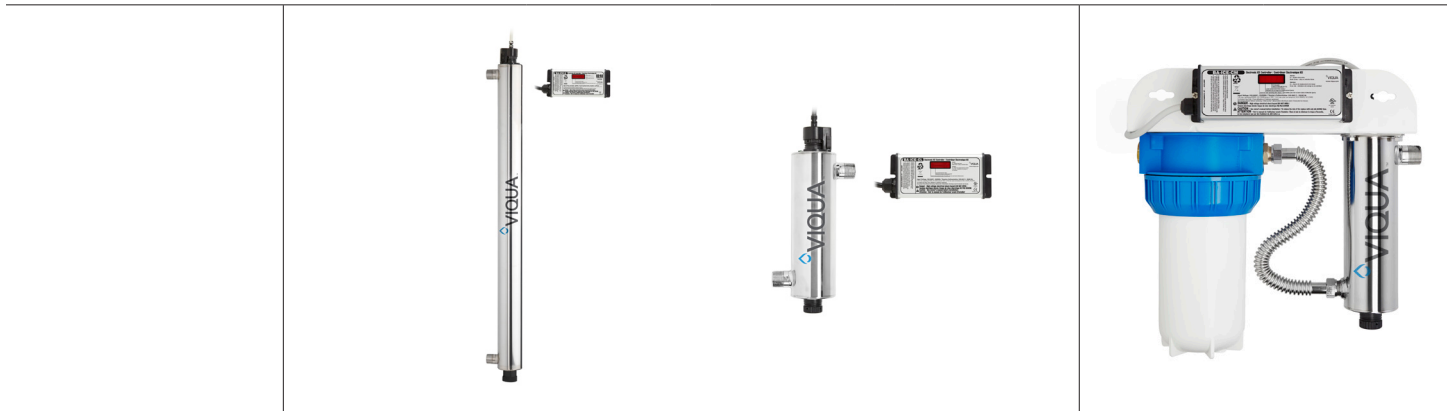
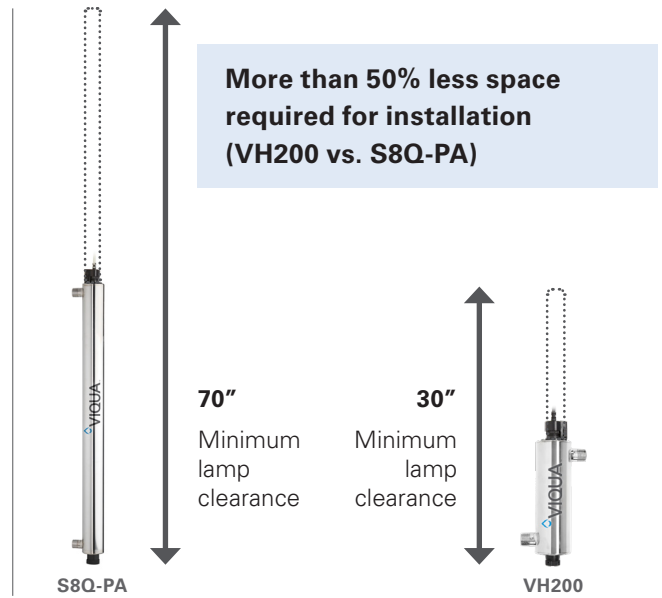


VH Series

The VH Series utilizes High Output (HO) lamp technology, which yields up to 66% more UV output when compared to Standard Output lamps the same length. This efficiency allows for a more compact UV lamp and chamber, resulting in improved installation flexibility and small footprint.

- The VH Series offers systems in 2 primary flow rates: 9 GPM (34 lpm) or 18 GPM (70 lpm)
- Available in two configurations: standalone UV or with integrated single sump pre-filtration (5 micron sediment pre-filtration) + UV

Contact your local RSM for more details.



Product Number	S5Q-PA	S8Q-PA	VH150	VH200	VH410*	VH200-F10	VH410-F20
Flow Rate (@ 30 mJ/cm ² , 95% UVT)	6 GPM (23 lpm) (1.4 m ³ /hr)	10 GPM (38 lpm) (2.3 m ³ /hr)	5 GPM (19 lpm) (1.1 m ³ /hr)	9 GPM (34 lpm) (2.0 m ³ /hr)	18 GPM (70 lpm) (4.2 m ³ /hr)	9 GPM (34 lpm) (2.0 m ³ /hr)	18 GPM (70 lpm) (4.2 m ³ /hr)
Lamp Technology	Standard Output	Standard Output	High Output	High Output	High Output	High Output	High Output
Installation Clearance Requirement	44"	70"	26"	30"	47"	30"	47"
Digital Lamp Countdown	✓	✓	✓	✓	✓	✓	✓
Audible Lamp Replacement Alarm	✓	✓	✓	✓	✓	✓	✓

*Available with UV Intensity Sensor (VH410M)



425 Clair Rd. W, Guelph, Ontario, Canada N1L 1R1

t. 1.519.763.1032 • f. 1.519.763.5069 • tf. 1.800.265.7246 (US/CAN) • t. +31.73.747.0144 (EUR) • info@viqua.com • www.viqua.com

© 2019 VIQUA - a Division of Trojan Technologies Group ULC